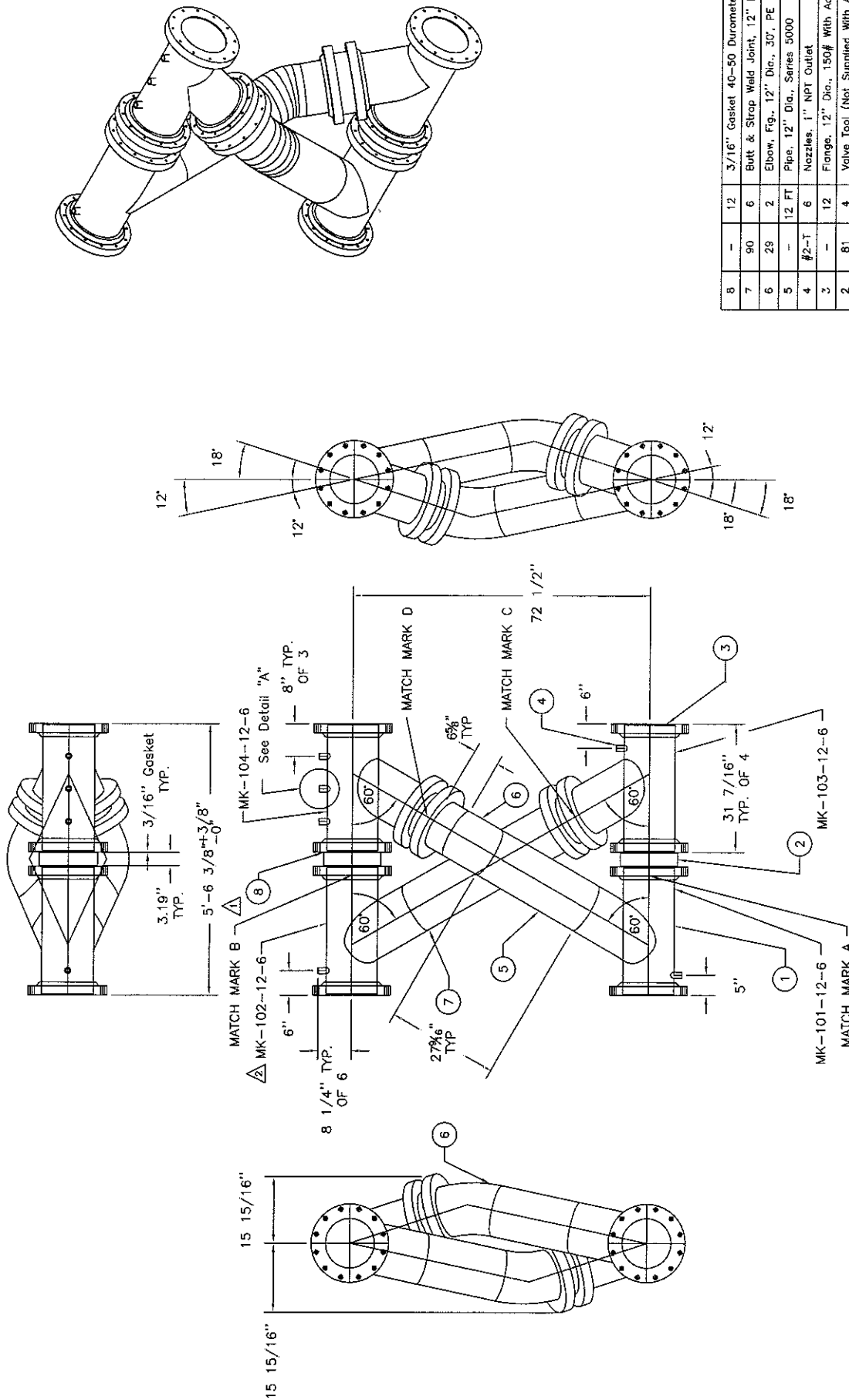


ITEM	QTY	DESCRIPTION	MATERIAL
7	1	3" FRP Factory Saddle welds	5900-G
6	1	3" FRP Factory B & W welds	5900-G
5	1	3" nom. dia. FRP Flange	5900-G
4	1	3/4" MNPT FRP Pipe Plug	5900-G
3	1	3" x 3/4" Reducing Saddle Branch	5900-G
2	1	3" dia. FRP Pipe x 49 1/8" lg.	5900-G
1	1	3" dia. FRP 90° Elbow	5900-G

9	1	3" FRP Factory Flange welds	5900-G
8	1	3" dia. Field B & W weld kit	5900-G


Industrial Fiberglass Specialties, Inc.
 521 Kiser Street
 Dayton, OH 45404-1641
 Phone: (937) 222-9000
 Fax: (937) 222-9020

TITLE: Fabricated Spool Section			
FOR: SMB-55 Mods			
DR: SJR	CK: KK	SO#: 1907	PO#: CPO427
DATE: 06/03/03	SCL: NONE	DWG#: A-1907-001	SPL#: 01
			QTY: 1
			REV: 0



Note:
 The mark numbers shown on the drawing as
 MK-XXX-XX-X is defined as follows:
 [] Unit Number, i.e. 1, 2, 3, ..., 10.
 [] Pipe Size in inches.
 [] Sub Assembly Number.

NO.	DATE	REVISION	BY	NO.	DATE	REVISION	BY
4	07/9/02	Revised mark numbers for next unit. Added dimensions on cross pipes	SJR	3	01/31/02	Revised mark numbers for next unit.	SJR
				2	09/19/01	Added mark numbers and note.	SJR
				1	08/22/01	Changed Item Balloon Number	JSS

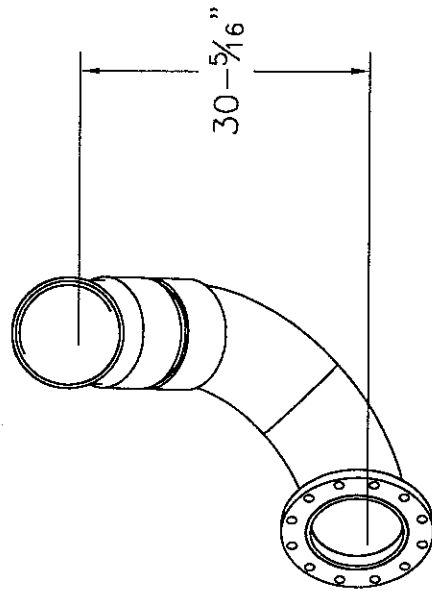
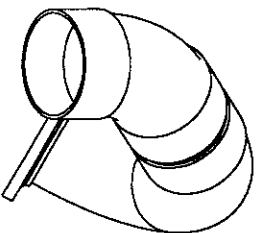
TITLE	12" Backwash Assembly
FOR :	OEM Filter Manufacturer
DR.	JSS
CK.	SJR
SCALE	1/2" = 1'0"
CUST. PO#	012639-i
QTY.	i
DATE	07/27/01
SO #	2535
DWG. NO.	2535-3
REV.	4

Industrial Fiberglass Specialties, Inc.
 521 Kiser Street
 Dayton, OH 45404-1641
 Phone# (937) 222-9000
 Fax# (937) 222-9020

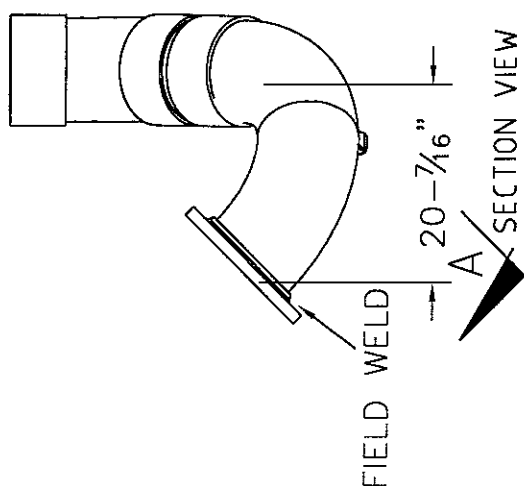
ITEM	FIG#	QTY	DESCRIPTION
8	-	12	3/16" Gasket 40-50 Durometer (By Others)
7	90	6	Butt & Strap Weld Joint, 12" Dia.
6	29	2	Elbow, Fig. 12" Dia., 30', PE
5	-	12 FT	Pipe, 12" Dia., Series 5000
4	#2-T	6	Nozzles, 1" NPT Outlet
3	-	12	Flange, 12" Dia., 150# With Adhesive Kit
2	81	4	Valve Tool (Not Supplied With Assembly)
1	15	4	Lateral, 12" Dia. Spacial 60' Branch, PE

B I L L O F M A T E R I A L

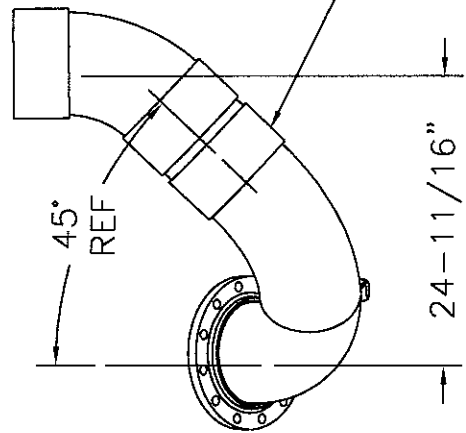
8	3	10" Field Adhesive weld kit #CL-200	5000
7	1	Factory Tee weld (info elbow radius)	5000
6	1	10" Factory Adhesive weld (Fig.#99A)	5000



PLAN VIEW

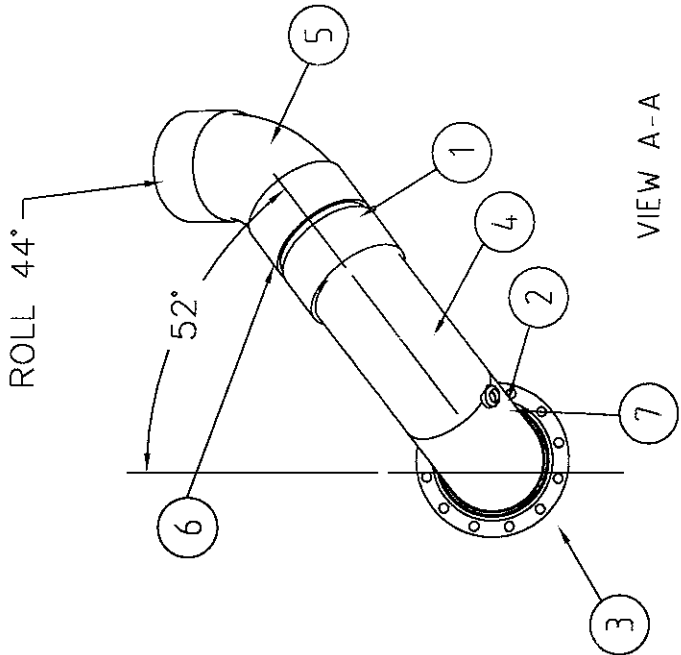


SECTION VIEW



ELEVATION VIEW

ISO VIEW



VIEW A-A

ITEM	QTY	DESCRIPTION	MATERIAL
5	1	10" dia. FRP 45° Elbow (Fig.#30)	5000
4	1	10" dia. FRP 120° Elbow (Custom)	5000
3	1	10" - 150# FRP Flange	5000
2	1	FRP Half Cplg. 1"NPT (Fig.#2-P/2)	5000
1	1	10" dia. FRP Pipe	5000

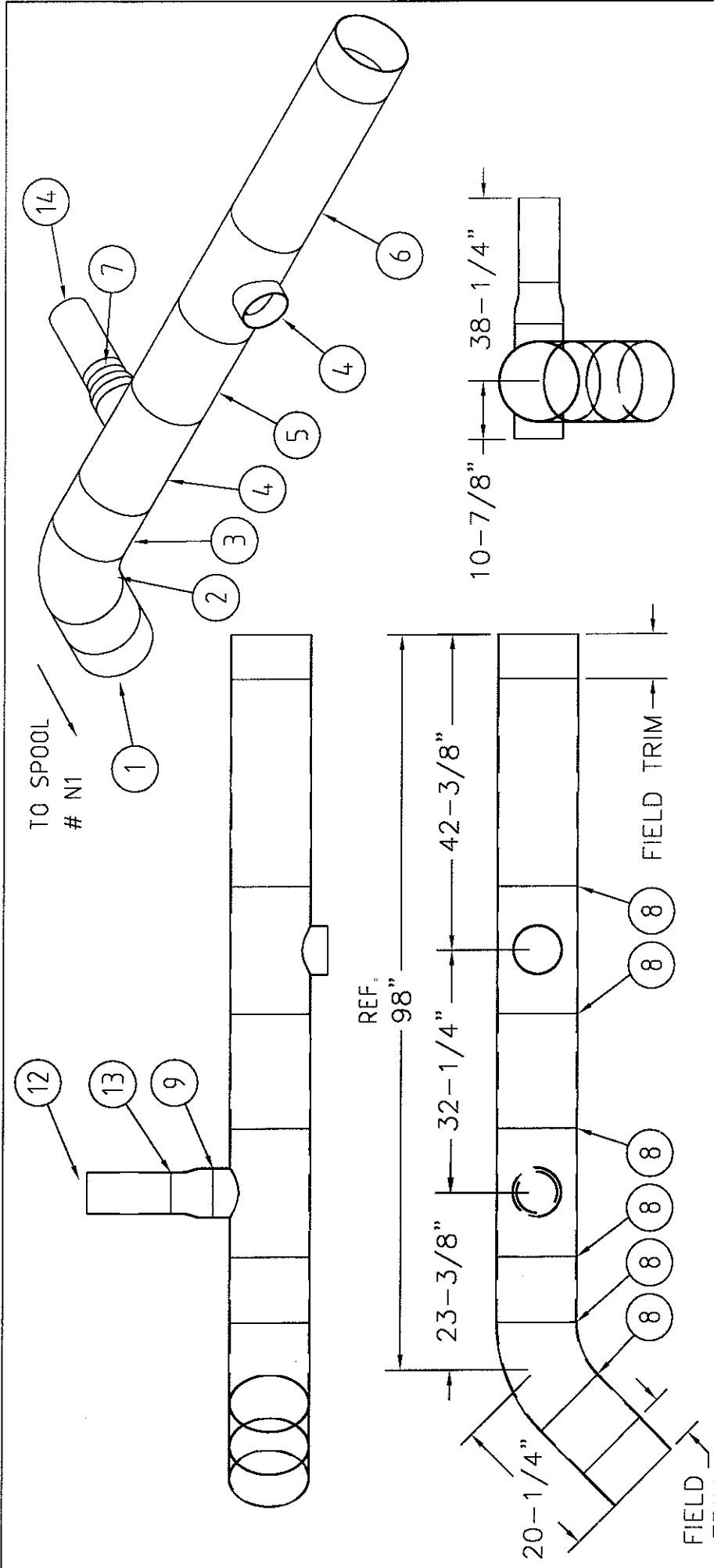
Industrial Fiberglass Specialties, Inc.

521 Kiser Street
Dayton, OH 45404-1641
Phone: (937) 222-9000
Fax: (937) 222-9020

TITLE: Fabricated Spool Section

FOR: SMB-55 Mods

DR: DKH	CK: KK	SO#: 1907	PO#: CPO427	SPL#: 05	QTY: 1
DATE: 06/24/03	SCL: NONE	DWG#: A-1907-005			REV: 0

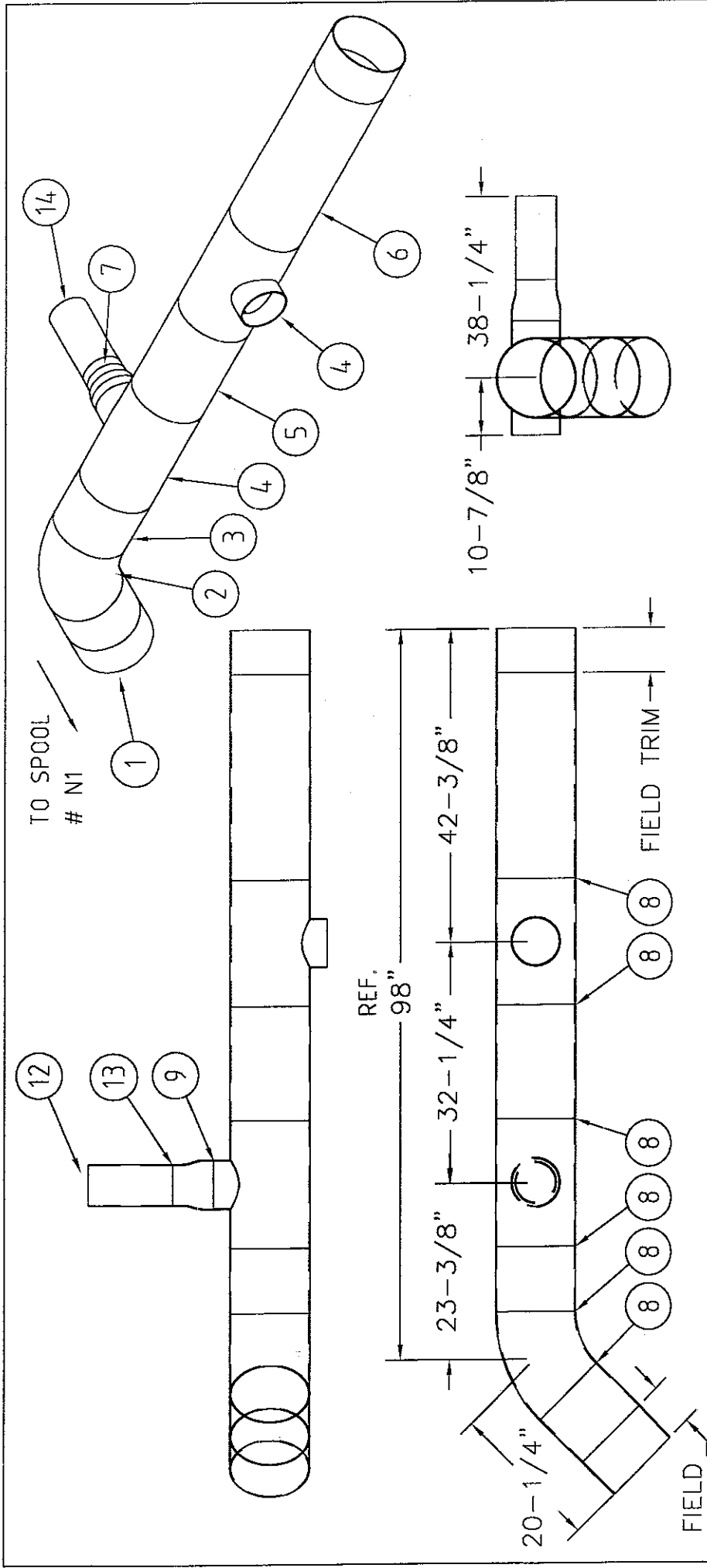


9	1	6" FRP Factory B & W welds	5900-G
8	6	10" FRP Factory B & W welds	5900-G
7	1	6" x 3" FRP Concentric Reducer	5900-G
6	1	10" dia. FRP Pipe x 31-1/2" lg.	5900-G
5	1	10" dia. FRP Pipe x 10-1/2" lg.	5900-G
4	2	10" x 6" dia. FRP Reducing Tee	5900-G
3	1	10" dia. FRP Pipe x 6-1/4" lg.	5900-G
2	1	10" dia. FRP 45° Elbow (Fig.#31)	5900-G
1	1	10" dia. FRP Pipe x 14" lg.	5900-G
ITEM	QTY	DESCRIPTION	MATERIAL

14	1	3" dia. FRP Pipe x T.B.D." lg.	5900-G
13	1	3" FRP Factory B & W welds	5900-G
12	1	3" dia. Field B & W weld kit	5900-G
11	1	6" dia. Field B & W weld kit	5900-G
10	2	10" dia. Field B & W weld kit	5900-G

Industrial Fiberglass Specialties, Inc.
 521 Kiser Street
 Dayton, OH 45404-1641
 Phone: (937) 222-9000
 Fax: (937) 222-9020

TITLE: Fabricated Spool Section
 FOR: SMB-55 Mods
 DR: SJR CK: KK SO#: 1907 PO#: CPO427 SPL#: 07 QTY: 1
 DATE: 07/17/03 SCL: NONE DWG#: A-1907-007 REV: 0



9	1	6" FRP Factory B & W welds	5900-G
8	6	10" FRP Factory B & W welds	5900-G
7	1	6" x 3" FRP Concentric Reducer	5900-G
6	1	10" dia. FRP Pipe x 31-1/2" lg.	5900-G
5	1	10" dia. FRP Pipe x 10-1/2" lg.	5900-G
4	2	10" x 6" dia. FRP Reducing Tee	5900-G
3	1	10" dia. FRP Pipe x 6-1/4" lg.	5900-G
2	1	10" dia. FRP 45° Elbow (Fig.#31)	5900-G
1	1	10" dia. FRP Pipe x 14" lg.	5900-G
ITEM	QTY	DESCRIPTION	MATERIAL

14	1	3" dia. FRP Pipe x T.B.D." lg.	5900-G
13	1	3" FRP Factory B & W welds	5900-G
12	1	3" dia. Field B & W weld kit	5900-G
11	1	6" dia. Field B & W weld kit	5900-G
10	2	10" dia. Field B & W weld kit	5900-G

Industrial Fiberglass Specialties, Inc.

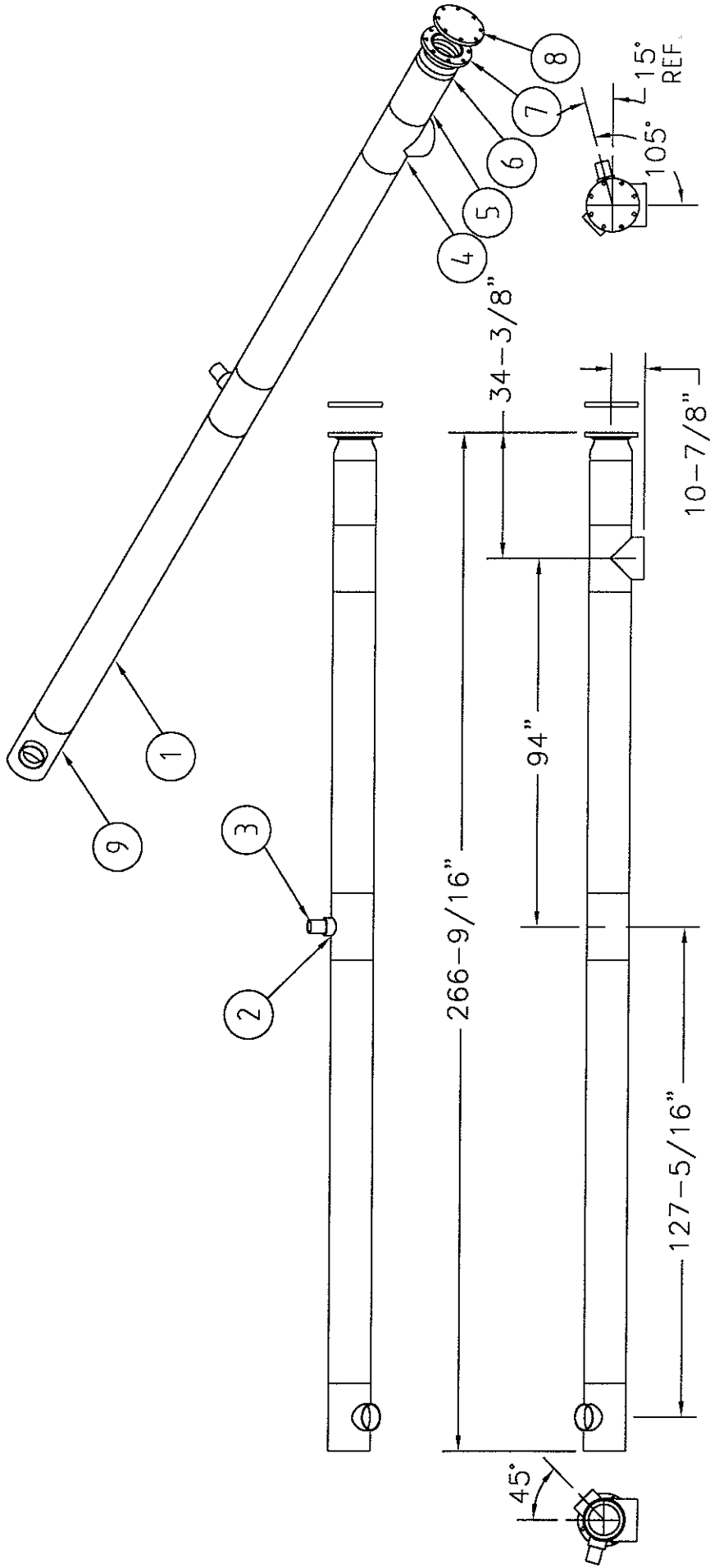
521 Kiser Street
Dayton, OH 45404-1641
Phone: (937) 222-9000
Fax: (937) 222-9020

TITLE: Fabricated Spool Section

FOR: SMB-55 Mods

DR: SJR CK: KK SO#: 1907 PO#: CPO427 SPL#: 07 QTY: 1

DATE: 07/17/03 SCL: NONE DWG#: A-1907-007 REV: 0



ITEM	QTY	DESCRIPTION	MATERIAL
9	1	10" x 6" dia. FRP Reducing Pipe Tee	5900-G
8	1	8" nom. dia. FRP Blind Flange	5900-G
7	1	8" nom. dia. FRP Flange (Fig.#15)	5900-G
6	1	10" x 8" FRP Concentric Reducer	5900-G
5	1	10" dia. FRP Pipe x 15-9/16" lg.	5900-G
4	1	10" dia. FRP Pipe Tee (Fig.#41)	5900-G
3	1	3/4" MNPT FRP Pipe Nipple x 3" lg.	5900-G
2	1	10" x 3/4" Reducing Saddle Branch	5900-G
1	1	10" dia. FRP Pipe x 199-9/16" lg.	5900-G

14	1	6" dia. Field B & W weld kit	5900-G
13	2	10" dia. Field B & W weld kit	5900-G
12	1	10" FRP Factory Saddle welds	5900-G
11	1	8" FRP Factory Flange welds	5900-G
10	4	10" FRP Factory B & W welds	5900-G

Industrial Fiberglass Specialties, Inc.

521 Kiser Street

Phone: (937) 222-9000

Dayton, OH 45404-1641

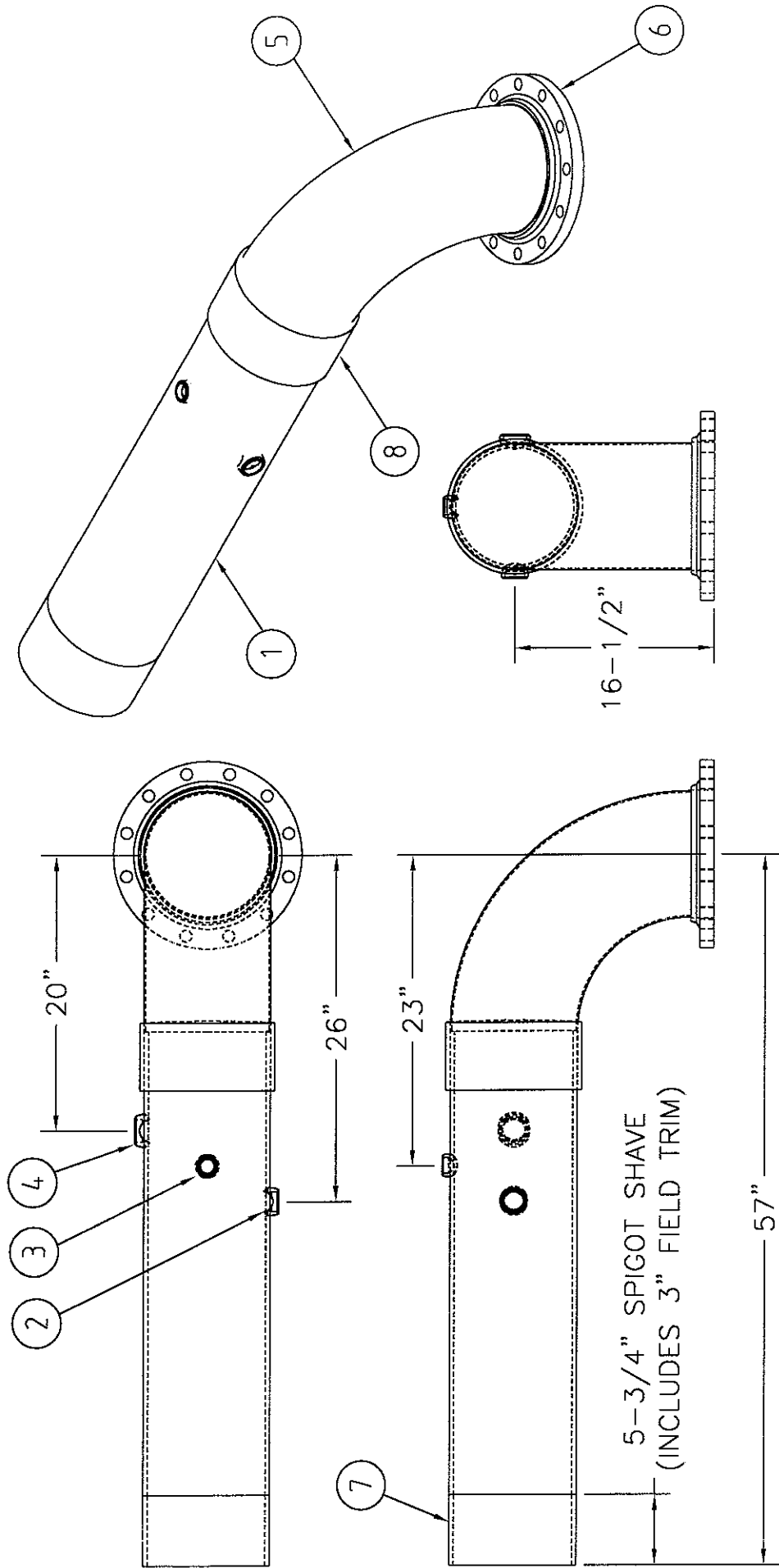
Fax: (937) 222-9020

TITLE: Fabricated Spool Section

FOR: SMB-55 Mods

DR: SJR CK: KK SO#: 1907 PO#: CPO427 SPL#: 10 QTY: 1

DATE: 07/16/03 SCL: NONE DWG#: A-1907-010 REV: 0

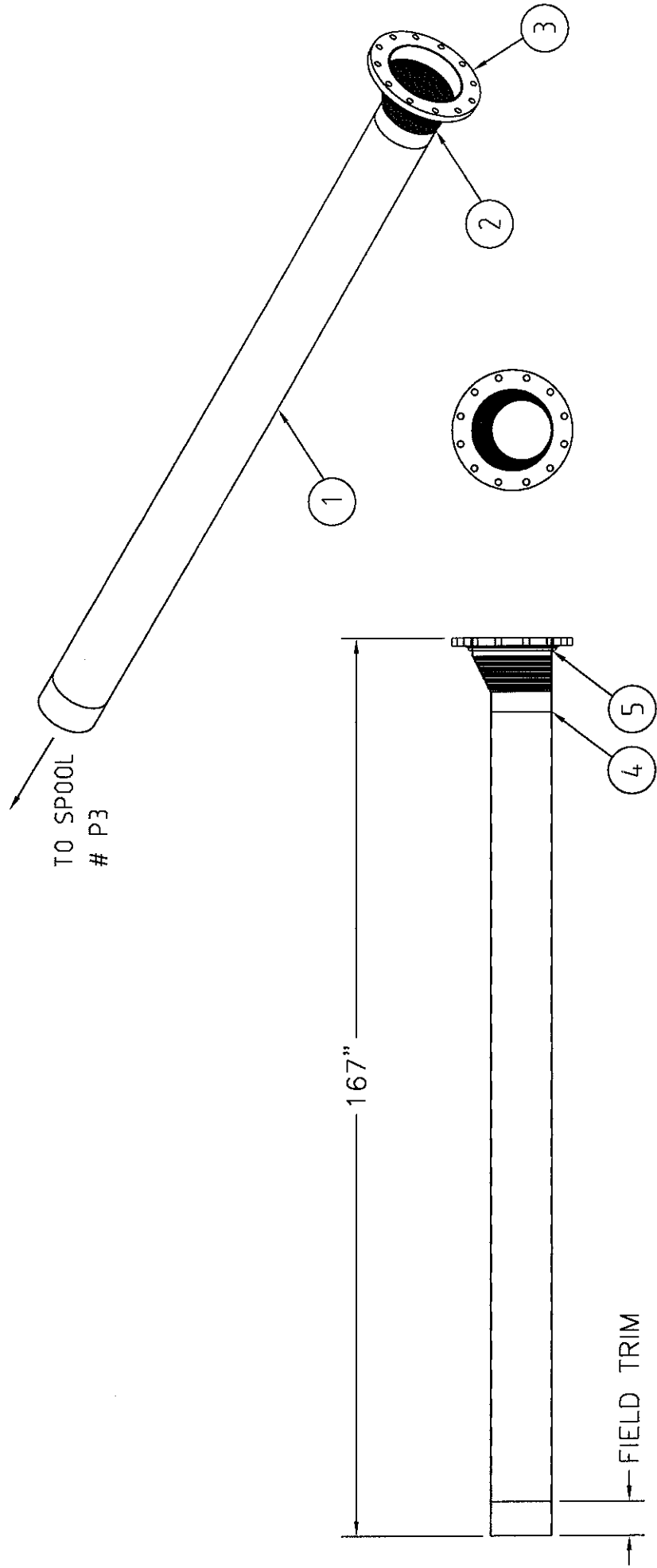


9	1	10" Field Adhesive weld kit #CL-200	5000
8	1	10" Factory Adhesive weld (Fig.#99A)	5000

Industrial Fiberglass Specialties, Inc.
 521 Kiser Street
 Dayton, OH 45404-1641
 Phone: (937) 222-9000
 Fax: (937) 222-9020

TITLE: Fabricated Spool Section
 FOR: SMB-55 Mods
 DR: DKH CK: KK SO#: 1907 PO#: CPO427 SPL#: 06 QTY: 1
 DATE: 06/18/03 SCL: NONE DWG#: A-1907-006 REV: 0

ITEM	QTY	DESCRIPTION	MATERIAL
7	1	10" Factory Prepped Spigot End	5000
6	1	10"-150# FRP Flange (Fig.#23-L)	5000
5	1	10" dia. FRP 90° Elbow (Fig.#23-L)	5000
4	1	10" x 1" Tee, FNPT (Fig.#60)	5000
3	1	10" x 1/2" Tee, FNPT (Fig.#60)	5000
2	1	10" x 3/4" Tee, FNPT (Fig.#60)	5000
1	1	10" dia. FRP Pipe	5000
			MATERIAL



Industrial Fiberglass Specialties, Inc.

Phone: (937) 222-9000

Fax: (937) 222-9020

521 Kiser Street

Dayton, OH 45404-1641

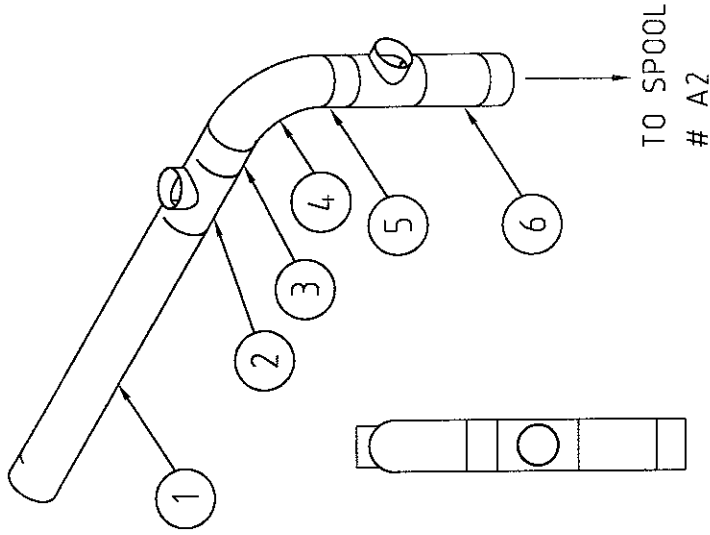
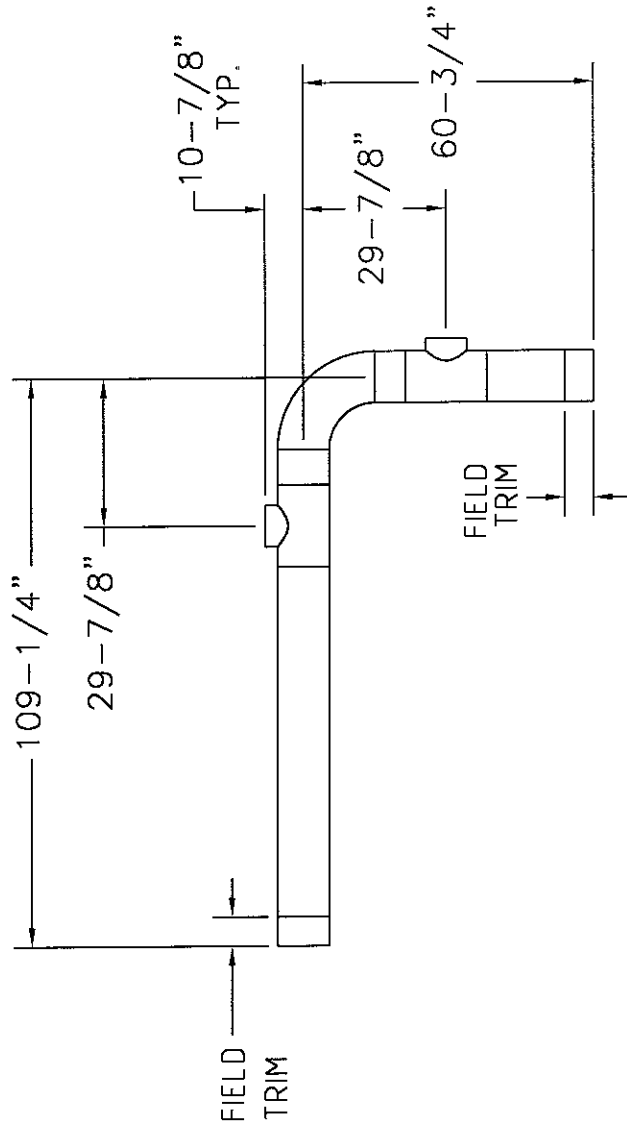
TITLE: Fabricated Spool Section

FOR: SMB-55 Mods

DR: SJR CK: KK SO#: 1907 PO#: CPO427 SPL#: 09 QTY: 1

DATE: 07/16/03 SCL: NONE DWG#: A-1907-009 REV: 0

ITEM	QTY	DESCRIPTION	MATERIAL
6	1	10" dia. Field B & W weld kit	5900-G
5	1	14" FRP Factory Flange welds	5900-G
4	1	10" FRP Factory B & W welds	5900-G
3	1	14" nom. dia. FRP Flange (Fig.#15)	5900-G
2	1	14" x 10" FRP Eccentric Reducer	5900-G
1	1	10" dia. FRP Pipe x T.B.D." lg.	5900-G
			MATERIAL



9	2	6" dia. Field B & W weld kit	5900-G
8	2	10" dia. Field B & W weld kit	5900-G
7	6	10" dia. FRP Factory B & W welds	5900-G
6	1	10" dia. FRP Pipe x 20" lg.	5900-G
5	1	10" dia. FRP Pipe x 4" lg.	5900-G
4	1	10" dia. FRP 90° Elbow	5900-G
3	1	10" dia. FRP Pipe x 4" lg.	5900-G
2	2	10" x 6" dia. FRP Reducing Tee	5900-G
1	1	10" dia. FRP Pipe x 68-1/2" lg.	5900-G
ITEM	QTY	DESCRIPTION	MATERIAL

Industrial Fiberglass Specialties, Inc.

521 Kiser Street
Dayton, OH 45404-1641

Phone: (937) 222-9000

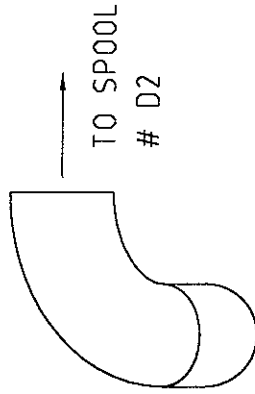
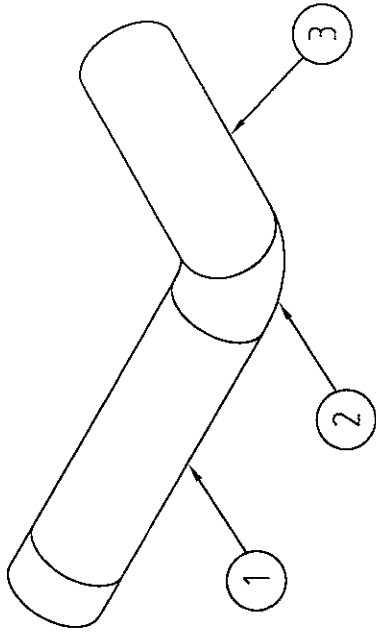
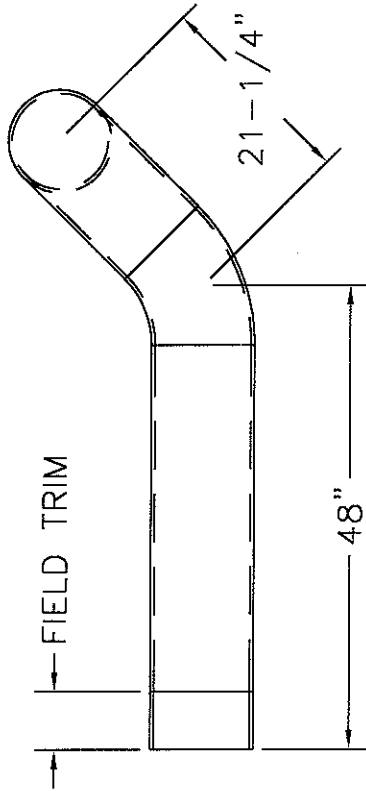
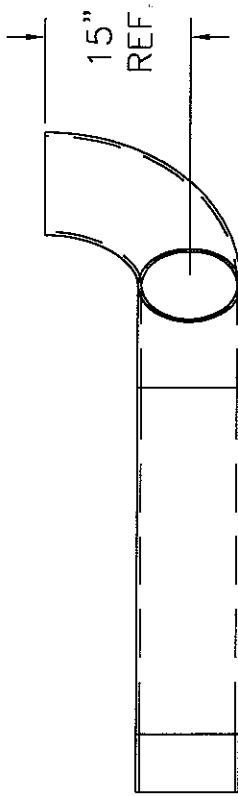
Fax: (937) 222-9020

TITLE: Fabricated Spool Section

FOR: SMB-55 Mods

DR: DKH CK: KK SO#: 1907 PO#: CPO427 SPL#: 02 QTY: 1

DATE: 06/04/03 SCL: NONE DWG#: A-1907-002 REV: 0



ITEM	QTY	DESCRIPTION	MATERIAL
5	1	10" dia. Field B & W weld kit	5900-G
4	2	10" dia. FRP Factory B & W welds	5900-G
3	1	10" dia. FRP 90° Elbow	5900-G
2	1	10" dia. FRP 45° Elbow	5900-G
1	1	10" dia. FRP Pipe x 41-3/4" lg.	5900-G

Industrial Fiberglass Specialties, Inc.

521 Kiser Street Phone: (937) 222-9000

Dayton, OH 45404-1641 Fax: (937) 222-9020

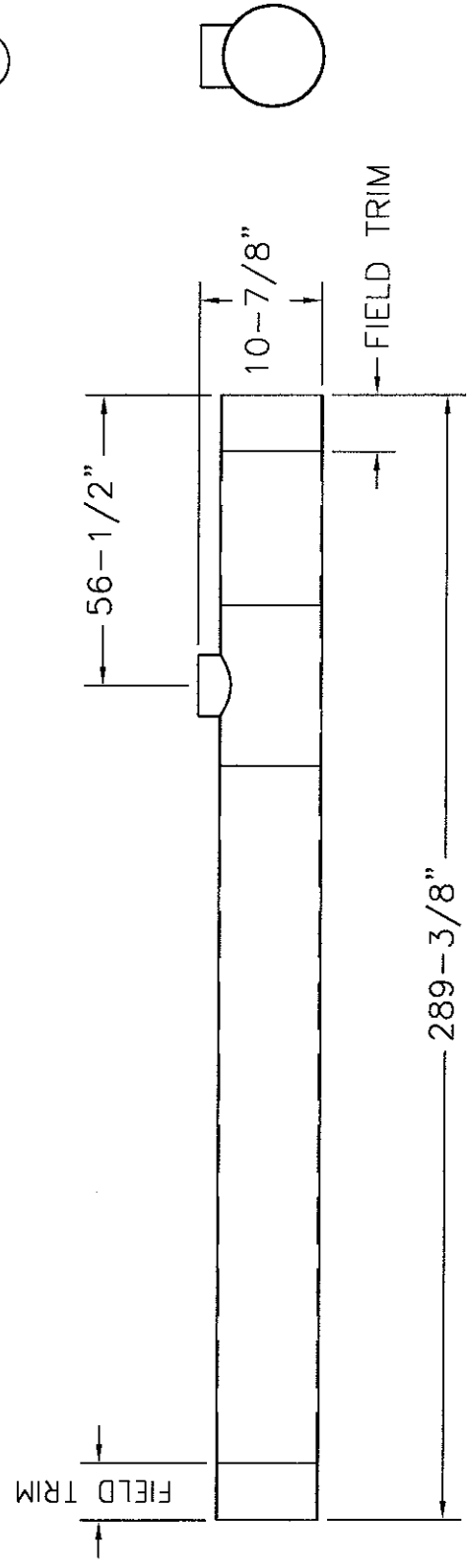
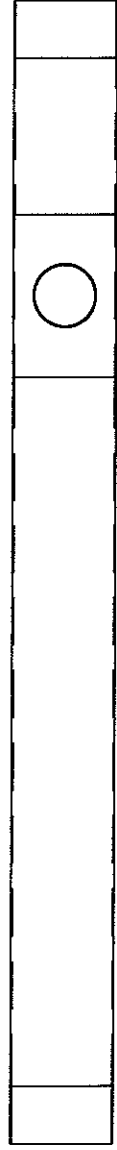
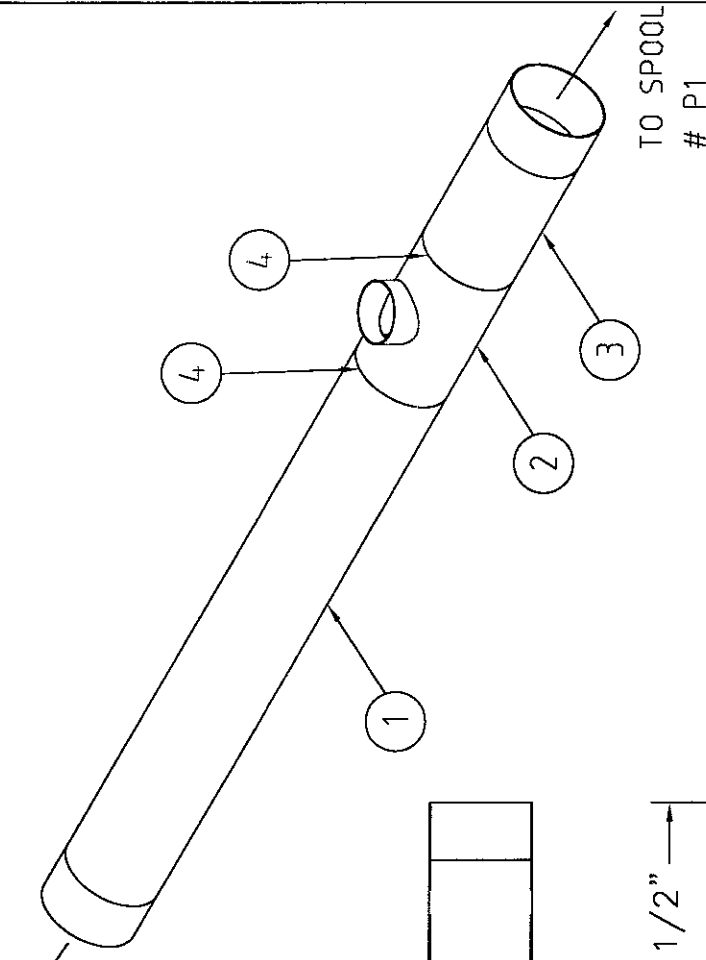
TITLE: Fabricated Spool Section

FOR: SMB-55 Mods

DR: DKH CK: KK SO#: 1907 PO#: CPO427 SPL#: 03 QTY: 1

DATE: 06/05/03 SCL: NONE DWG#: A-1907-003 REV: 0

TO SPOOL
P3



ITEM	QTY	DESCRIPTION	MATERIAL
6	1	6" dia. Field B & W weld kit	5900-G
5	2	10" dia. Field B & W weld kit	5900-G
4	2	10" dia. FRP Factory B & W welds	5900-G
3	1	10" dia. FRP Pipe x 45-1/2" lg.	5900-G
2	1	10" x 6" dia. FRP Reducing Tee	5900-G
1	1	10" dia. FRP Pipe x 222" lg.	5900-G

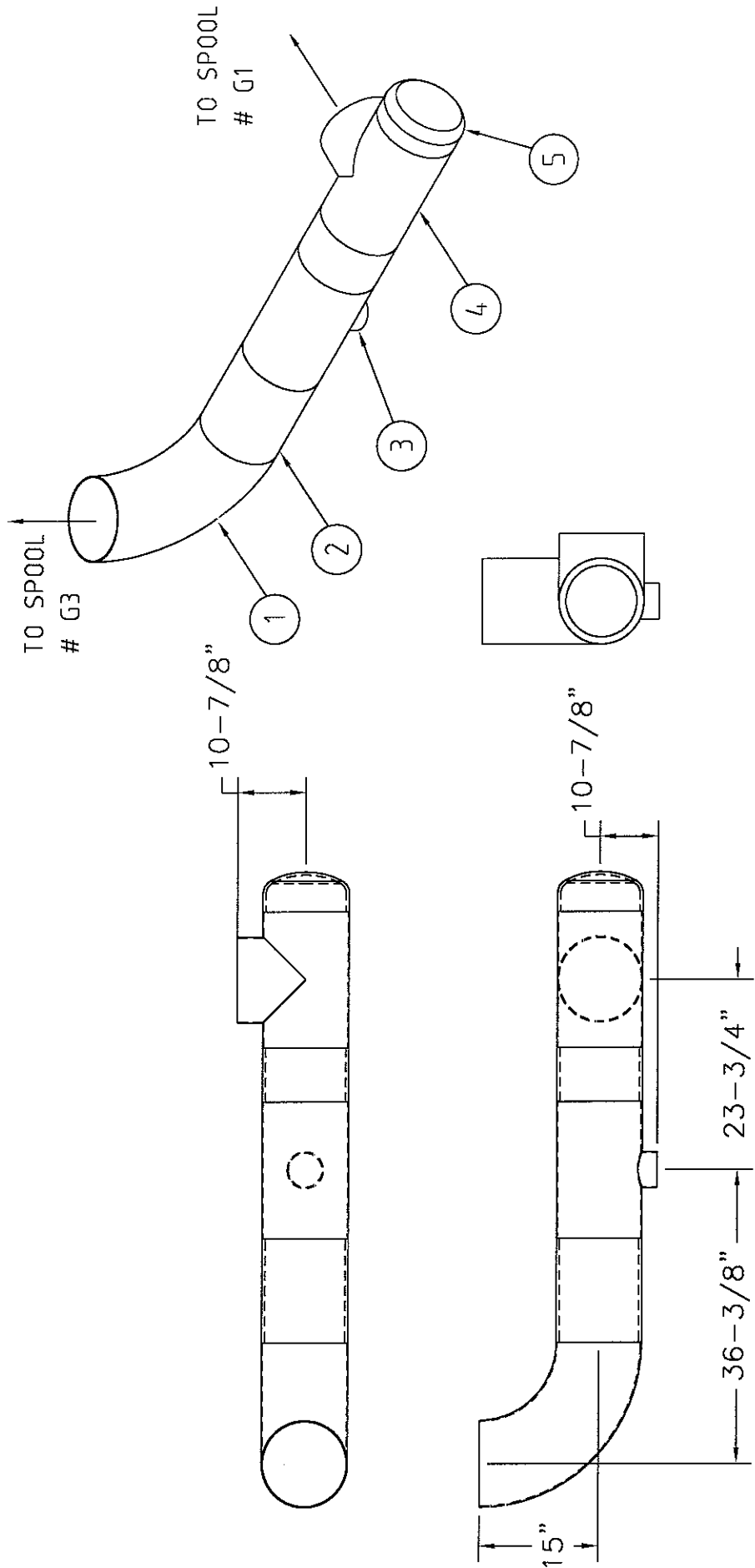
Industrial Fiberglass Specialties, Inc.

521 Kiser Street
Dayton, OH 45404-1641
Phone: (937) 222-9000
Fax: (937) 222-9020


TITLE: Fabricated Spool Section

FOR: SMB-55 Mods

DR: DKH CK: KK SO#: 1907 PO#: CPO427 SPL#: 08 QTY: 1
DATE: 07/16/03 SCL: NONE DWG#: A-1907-008 REV: 0



9	1	10" FRP Factory saddle weld	5900-G
8	1	3" dia. Field B & W weld kit	5900-G
7	1	10" dia. Field B & W weld kit	5900-G
6	2	10" dia. FRP Factory B & W welds	5900-G
5	1	10" dia. FRP Pipe Cap	5900-G
4	1	10" dia. FRP Pipe Tee	5900-G
3	1	10" x 3" Reducing Saddle Branch	5900-G
2	1	10" dia. FRP Pipe x 34-1/4" lg.	5900-G
1	1	10" dia. FRP 90° Elbow	5900-G
ITEM	QTY	DESCRIPTION	MATERIAL


Industrial Fiberglass Specialties, Inc.
 Phone: (937) 222-9000
 Fax: (937) 222-9020
 521 Kiser Street
 Dayton, OH 45404-1641

TITLE: Fabricated Spool Section
 FOR: SMB-55 Mods
 DR: DKH CK: KK SO#: 1907 PO#: CPO427 SPL#: 04 QTY: 1
 DATE: 06/10/03 SCL: NONE DWG#: A-1907-004 REV: 0