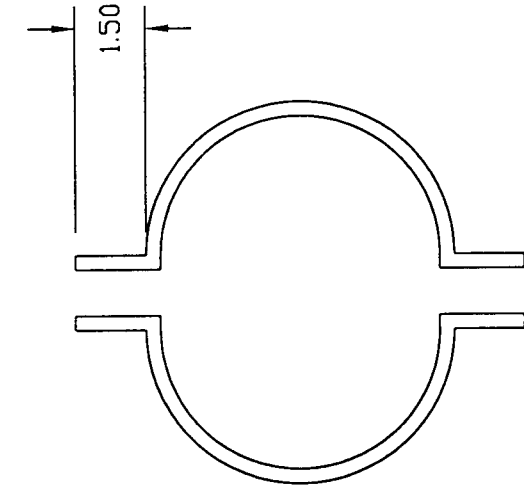


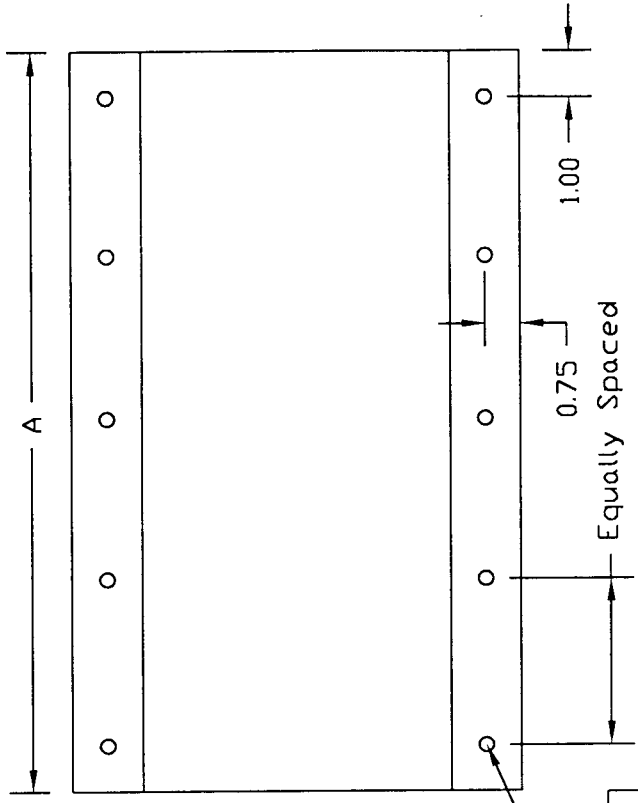
NO.	DATE	REVISION	BY
-	-	-	-



See table for bolt sizing

Diameter	"A"	# Bolt Holes	Bolt Size	"Qty"	Hole Dia.
6"	16"	10	1/4-20 x 1"	(1)	3/8"
8"	20"	12	5/16-20 x 1"	(1)	7/16"
10"	20"	12	5/16-20 x 1"	(1)	7/16"

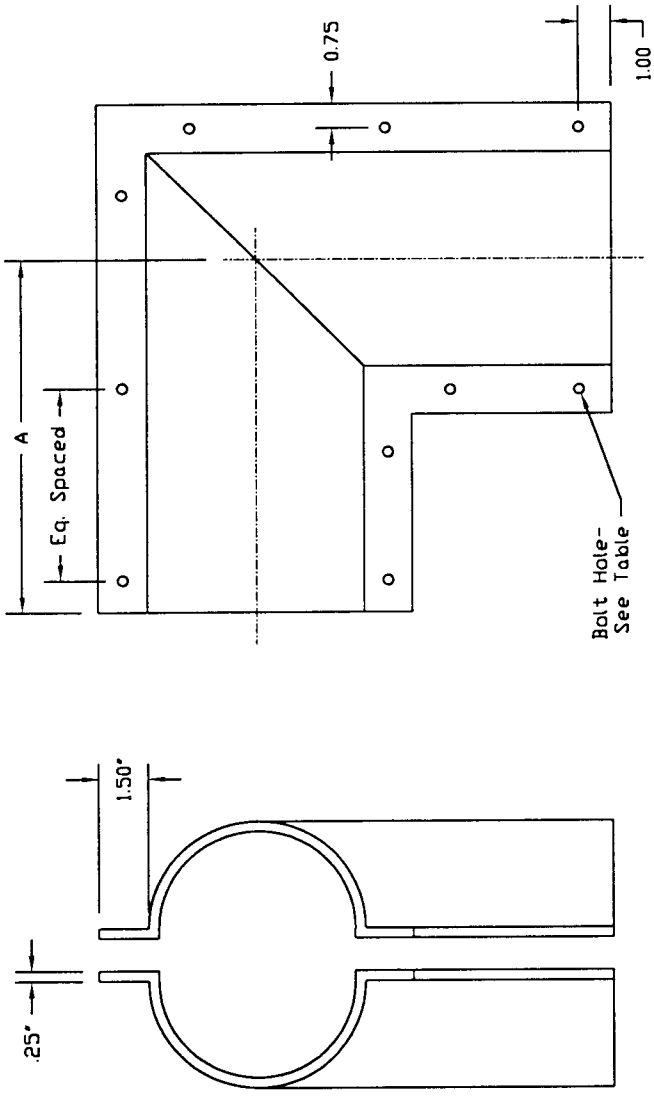
*"A" dimension includes ±1/4" tolerance.



MAT'L: CM FRP VE

UNLESS OTHERWISE SPECIFIED		Industrial Fiberglass Specialties, Inc.	
FINISH	✓	521 KISER STREET	PHONE# (937) 222-9000
3 PL DECIMALS ±.005 / 2 PL DECIMALS ±.01		DAYTON, OH 45404-1641	FAX# (937) 222-9020
ANGLES ±1/2 / FRACTIONS ±1/8"		TITLE: CLAM-SHELL CONTAINMENT SECTION -- STRAIGHT CPLG. SECTION	
① SQUARE WITHIN	TIR	FOR: -	
① PARALLEL WITHIN	TIR	DR. DKH	CK.
① CONCENTRIC WITHIN	TIR	SCALE	NONE
DEBURR & BREAK SHARP EDGES .015		DATE	
		JOB #	DWG. NO.
		P.O.#	QTY.()
			REV. 0

NO.	DATE	REVISION	BY
-	-	-	-



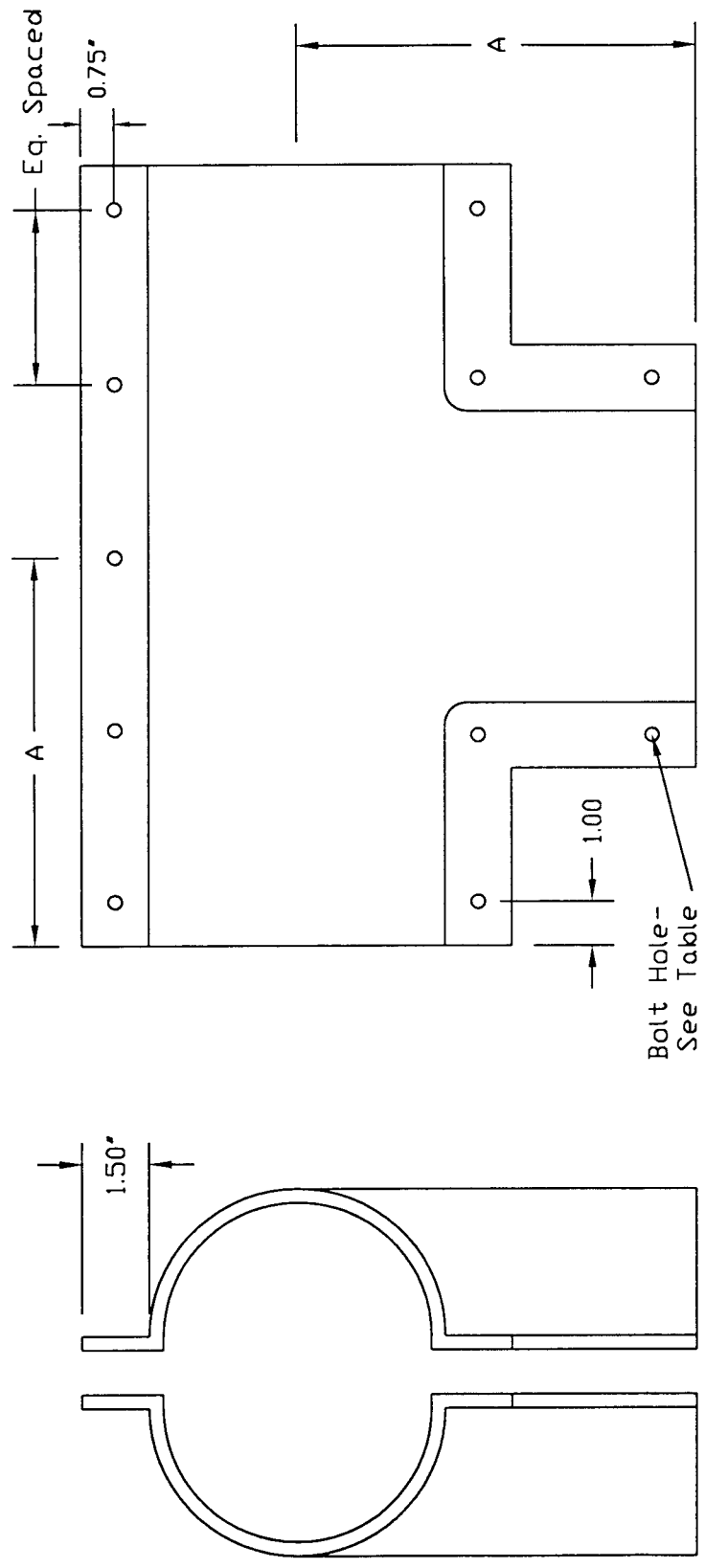
Diameter	"A"	# Bolt Holes	Bolt Size	"Qty"	Hole Dia.
6"	11"	14	1/4-20 x 1"	XX	7/8"
8"	13"	14	5/16-20 x 1"	XX	7/16"

*"A" dimension includes ±1/4" tolerance.

MAT'L: 4000 FW FRP EPOXY

UNLESS OTHERWISE SPECIFIED		<i>Industrial Fiberglass Specialties, Inc.</i>	
FINISH	✓	521 KISER STREET	PHONE# (937) 222-9000
3 PL DECIMALS ±.005 / 2 PL DECIMALS ±.01		DAYTON, OH 45404-1641	FAX# (937) 222-9020
ANGLES ±1/2	/ FRACTIONS ±1/8"	TITLE: CLAM-SHELL CONTAINMENT SECTION -- 90° ELBOW SECTION	
⊕ SQUARE WITHIN	TIR	FOR: -	
⊖ PARALLEL WITHIN	TIR	DR. DKH CK.	PART#
⊙ CONCENTRIC WITHIN	TIR	SCALE NONE	QTY.<
DEBURR & BREAK SHARP EDGES .015		DATE	DWG. NO.
			REV. 0

-	-	-
NO.	DATE	REVISION
-	-	-
-	-	BY



Bolt Hole -
See Table

Diameter	"A"	# Bolt Holes	Bolt Size	"Qty"	Hole Size
4"	8"	11	1/4-20 x 1"	-	3/8"
8"	13"	19	5/16-18 x 1"	-	7/16"

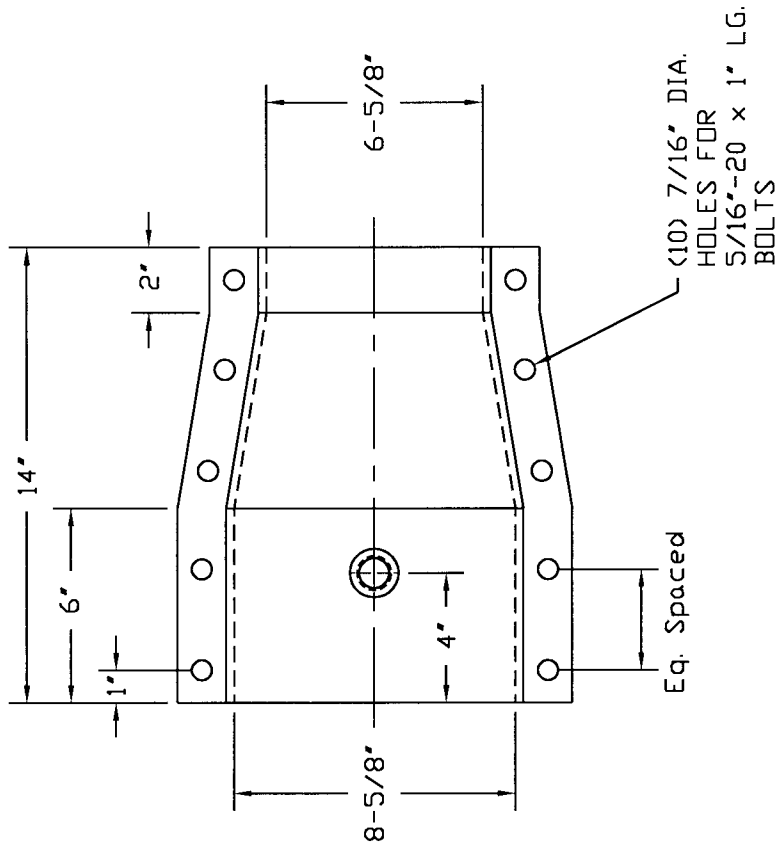
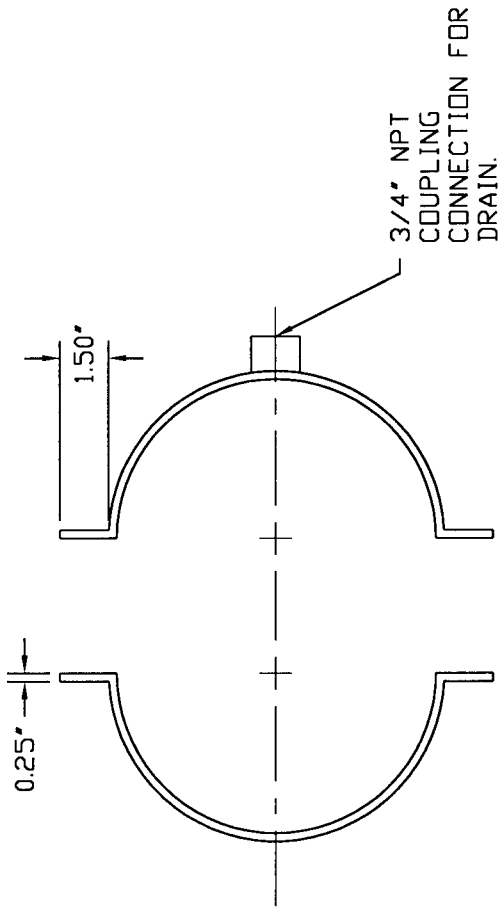
*"A" dimension includes ±1/4" tolerance.

MAT'L: 4000 FW FRP EPOXY

UNLESS OTHERWISE SPECIFIED			
FINISH	✓		
3 PL DECIMALS ±.005 / 2 PL DECIMALS ±.01			
ANGLES ±1/2 / FRACTIONS ±1/8"			
Ⓛ SQUARE WITHIN	TIR		
Ⓜ PARALLEL WITHIN	TIR		
Ⓞ CONCENTRIC WITHIN	TIR		
DEBURR & BREAK SHARP EDGES .015			
TITLE : CLAM-SHELL CONTAINMENT SECTION -- TEE SECTION		FOR :	
DR. DKH CK. ---		SCALE NONE	PART#
DATE	JOB #	DWG. NO.	QTY. ()
			REV. 0

Industrial Fiberglass Specialties, Inc.
 521 KISER STREET
 DAYTON, OH 45404-1641
 PHONE# (937) 222-9000
 FAX# (937) 222-9020

NO.	DATE	REVISION	BY
-	-	-	-



Material: Hetron 922 or Equal

Industrial Fiberglass Specialties, Inc.

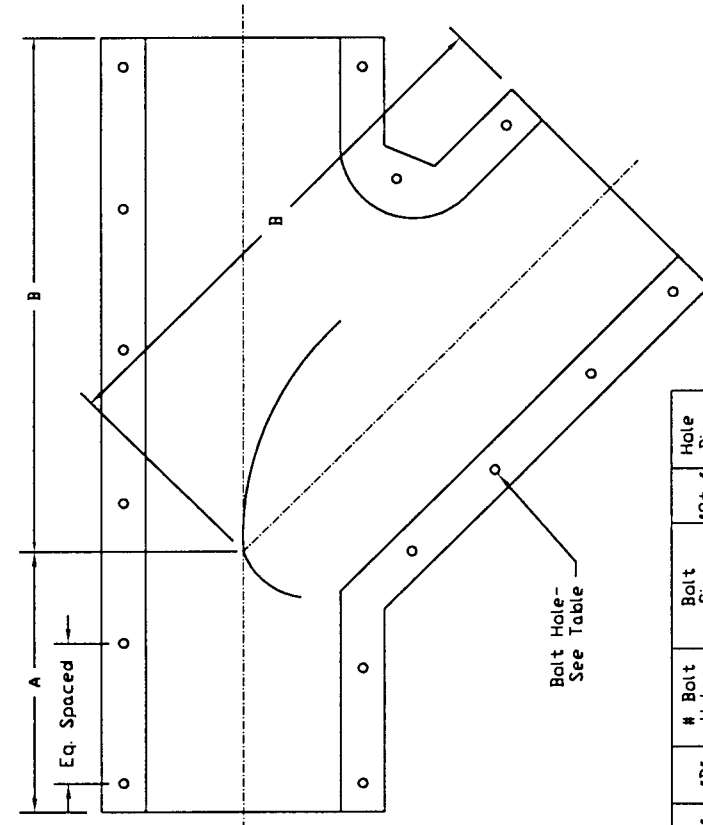
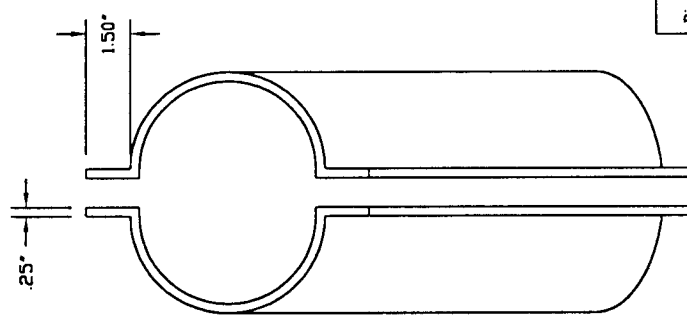
521 KISER STREET
 DAYTON, OH 45404-1641
 PHONE# (937) 222-9000
 FAX# (937) 222-9020

TITLE : 8" x 6" CLAM-SHELL TERMINATION FITTING - CONCENTRIC REDUCER

FOR :

DR. DKH	CK. SJR	SCALE NONE	P.O.#	QTY.<
DATE	JOB #	DWG. NO.		REV. 0

NO.	DATE	REVISION	BY
-	-	-	-



Diameter	"A"	"B"	# Bolt Holes	Bolt Size	"Qty"	Hole Dia.
6"	7"	17"	15	1/4-20 x 1"	(1)	3/8"
8"	8"	20"	17	3/16-20 x 1"	(1)	3/16"
10"	9"	24"	19	3/16-20 x 1"	(1)	3/16"

*"A" & "B" dimensions includes ±1/4" tolerance.

MAT'L: CM FRP VE

UNLESS OTHERWISE SPECIFIED		<i>Industrial Fiberglass Specialties, Inc.</i>	
FINISH	✓	521 KISER STREET	PHONE# (937) 222-9000
3 PL DECIMALS ±.005 / 2 PL DECIMALS ±.01		DAYTON, OH 45404-1641	FAX# (937) 222-9020
ANGLES ±1/2 / FRACTIONS ±1/8"		TITLE : CLAM-SHELL CONTAINMENT SECTION -- 45° LATERAL SECTION	
① SQUARE WITHIN	TIR	FOR : -	
① PARALLEL WITHIN	TIR		
③ CONCENTRIC WITHIN	TIR		
DEBURR & BREAK SHARP EDGES .015		DR. DKH CK.	SCALE NONE
		DATE	JOB #
			P.O.#
			QTY. ()
			REV. 0