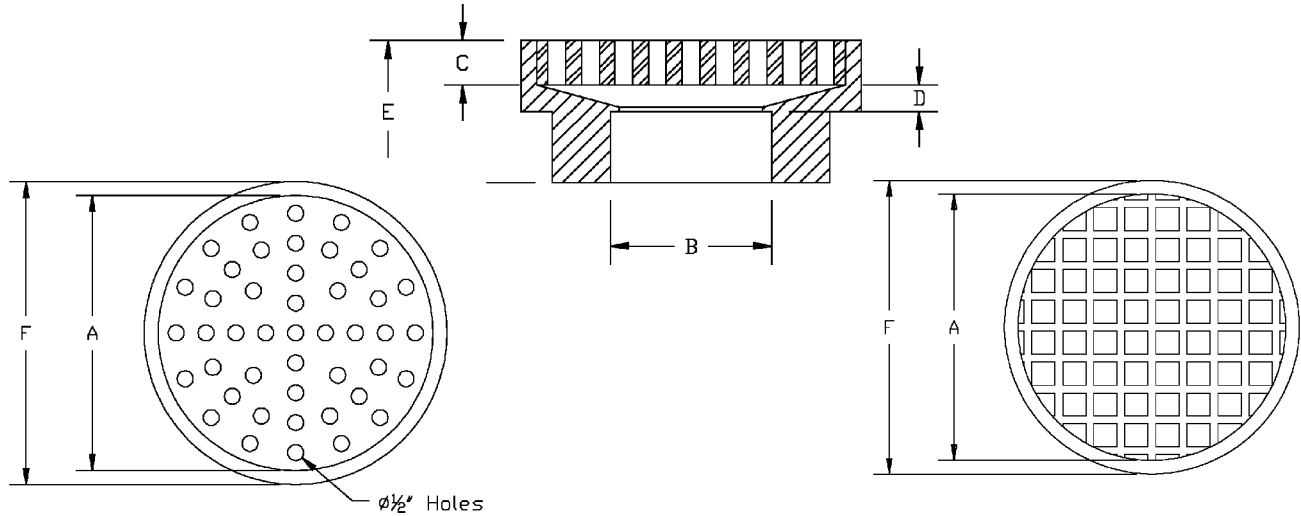




FLOOR DRAINS

FIG. #89 - Floor Drain



Size	"A"	"B"	"C"	"D"	"E"	"F"	Wt.
8 x 2	8.625	2.375	1.25	1.81	4.00	9.50	12.0
8 x 2-1/2	8.625	2.875	1.25	1.81	4.00	9.50	12.0
8 x 3	8.625	3.500	1.25	1.81	4.00	9.50	12.0
8 x 4	8.625	4.500	1.25	1.81	4.00	9.50	12.0
8 x 5	8.625	5.500	1.25	1.81	4.00	9.50	12.0
8 x 6	8.625	6.625	1.25	2.25	4.43	9.50	13.0
8 x 8	8.625	8.625	1.25	2.50	4.68	9.50	14.0
10 x 2	10.750	2.375	1.50	1.81	4.25	12.25	15.0
10 x 2-1/2	10.750	2.875	1.50	1.81	4.25	12.25	15.0
10 x 3	10.750	3.500	1.50	1.81	4.25	12.25	15.0
10 x 4	10.750	4.500	1.50	1.81	4.25	12.25	15.0
10 x 5	10.750	5.500	1.50	1.81	4.25	12.25	15.0
10 x 6	10.750	6.625	1.50	2.25	4.68	12.25	17.0
10 x 8	10.750	8.625	1.50	2.50	4.93	12.25	18.0
10 x 10	10.750	10.750	1.50	2.75	5.18	12.25	21.0
12 x 2	12.750	2.375	2.00	1.81	4.75	14.50	18.0
12 x 2-1/2	12.750	2.875	2.00	1.81	4.75	14.50	18.0
12 x 3	12.750	3.500	2.00	1.81	4.75	14.50	18.0
12 x 4	12.750	4.500	2.00	1.81	4.75	14.50	18.0
12 x 5	12.750	5.500	2.00	1.81	4.75	14.50	18.0
12 x 6	12.750	6.625	2.00	2.25	5.18	14.50	20.0
12 x 8	12.750	8.625	2.00	2.50	5.43	14.50	21.0
12 x 10	12.750	10.750	2.00	2.75	5.68	14.50	24.0
12 x 12	12.750	12.750	2.00	3.00	5.93	14.50	25.0

Complete Floor Drain assembly includes removable grate and floor drain bowl. Removable grate and drain bowl may be ordered separately. Grate may be flat plate with 1/2" diameter holes, or FRP grating. Special diameter drain bowl sizes and drain outlet sizes are available upon request.

Floor Drains are custom made to order - NO RETURNS ALLOWED