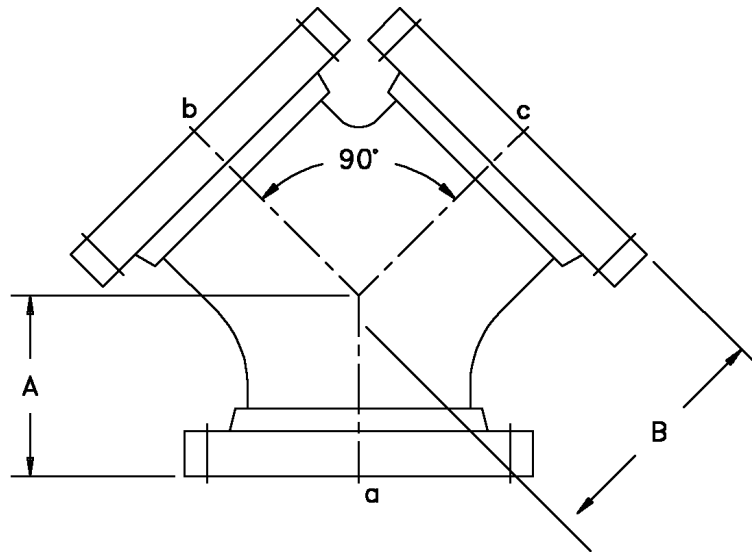


FIG. #86 - True Wye, Flanged

Size	"A"	"B"	Wt.
1	2.50	3.50	.70
1-1/2	3.00	4.00	8.5
2	3.50	4.50	10.0
2-1/2	4.00	5.00	13.0
3	4.00	5.50	16.0
4	5.00	6.50	24.0
6	6.00	8.00	36.0
8	7.00	9.00	60.0
10	10.00	13.00	98.0
12	11.50	15.00	140.0
14	13.00	17.50	175.0
16	15.00	20.00	215.0
18	17.00	22.00	258.0
20	19.00	25.00	355.0
24	22.00	29.00	530.0



Wyes 1" to 12" are rated for 150 psi. Wyes 14" and larger are rated for 100 psi. Higher pressure ratings are available. Bolt and gasket sets are available. Please see Fig. #101.

NO RETURNS ALLOWED

FIG. #87 - True Wye, Combination Coupled or Reducing

Wyes may be ordered with a combination of end types such as flanged, reducing flanged, bell, reducing bell and plain or reducing plain ends.

When ordering Fig. #87 combination-coupled or combination coupled reducing wyes, please specify the end configuration by using the small letter call outs for each end.

NO RETURNS ALLOWED

