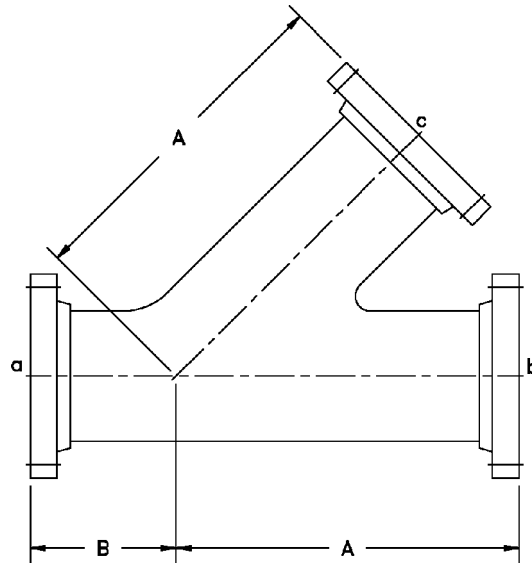




**FIG. #82 - 45 Degree Lateral, Flanged**

Size	"A"	"B"	Wt.
1	6.75	4.25	7.0
1-1/2	7.25	4.75	8.5
2	11.25	5.75	10.0
2-1/2	11.56	6.06	13.0
3	13.31	6.31	16.0
4	15.75	6.75	24.0
6	19.12	8.12	36.0
8	22.62	9.62	60.0
10	26.12	10.62	98.0
12	30.62	11.62	140.0
14	30.00	12.00	175.0
16	32.00	14.00	215.0
18	36.00	14.00	258.0
20	38.00	16.00	355.0
24	42.00	18.00	530.0



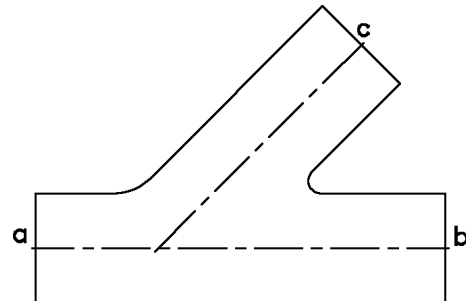
Laterals 1" to 12" are rated for 150 psi.  
 Laterals 14" and larger are rated for 100 psi. Higher pressure ratings are available. Bolt and gasket sets are available.  
 Please see Fig. #101.

NO RETURNS ALLOWED

**FIG. #83 - 45 Degree Lateral, Combination Coupled or Reducing**

Laterals may be ordered with a combination of end types such as flanged, reducing flanged, bell, and plain, or reducing plain ends.

When ordering Fig. #83 combination coupled, or combination coupled reducing laterals, please specify the end configuration by using the small letter call outs for each end.



NO RETURNS ALLOWED