



Industrial Fiberglass Specialties, Inc.

521 Kiser Street, Dayton, OH 45404-1641

Phone: (937) 222-9000 • Fax: (937) 222-9020

Email: sales@ifs-frp.com • Web: www.ifs-frp.com

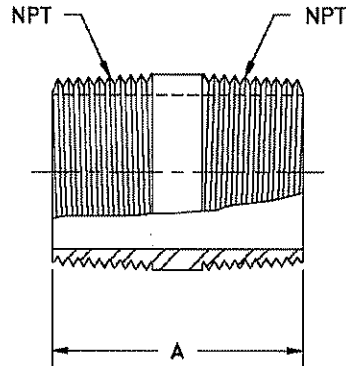
Product Catalog

24 February 2004

NIPPLES

FIG. #6 - Threaded Pipe Nipple, Male NPT

Size	"A" Std.	Wt.
1/2	3"	.3
3/4	3"	.3
1	3"	.3
1-1/4	3"	.3
1-1/2	3"	.5
2	3"	.7
2-1/2	6"	1.0
3	6"	1.2
4	6"	1.4
6	6"	2.1
8	8"	2.8
10	8"	3.8
12	8"	5.2

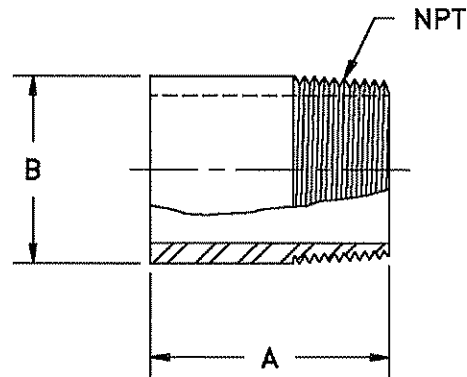


Nipple lengths and sizes other than shown are available upon request. A one-time setup charge will apply per length and per diameter for such special length threaded nipples and adapters.

NO RETURNS ALLOWED ON NON-STANDARD LENGTHS

FIG. #7-M - Pipe Nipple, Spigot x Male NPT Thread

Size	"A" Std.	"B"
1/2	3"	.840
3/4	3"	1.050
1	3"	1.315
1-1/4	3"	1.624
1-1/2	3"	1.900
2	3"	2.375
2-1/2	6"	2.875
3	6"	3.500
4	6"	4.500
6	6"	6.625
8	8"	8.625
10	8"	10.750
12	8"	12.750



Nipple lengths and sizes other than shown are available upon request. A one-time setup charge will apply per length and per diameter for such special length threaded nipples and adapters.

NO RETURNS ALLOWED ON NON-STANDARD LENGTHS