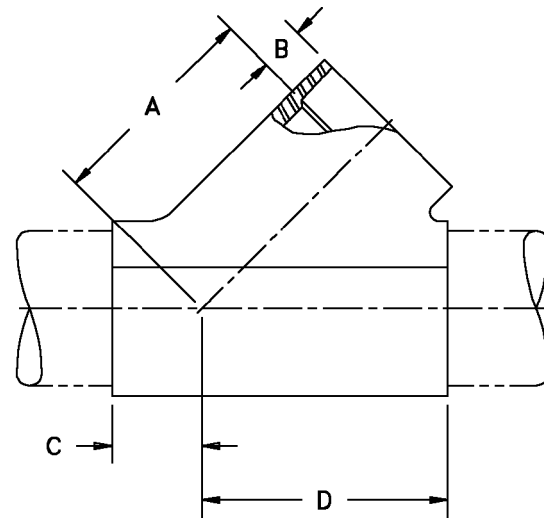




FIG. #67-B - Full Sized Saddle with Bell Outlet, 45 Degree

Size	"A"	"B"	"C"	"D"	Wt.
1	3.25	1.06	3.50	4.88	1.2
1-1/2	4.00	1.25	3.62	5.50	1.8
2	4.50	1.81	3.75	6.12	2.4
2-1/2	5.25	1.81	3.88	6.75	3.4
3	6.00	1.81	4.00	7.50	4.2
4	7.12	1.81	4.25	8.75	7.2
6	9.75	2.25	4.62	11.25	12.0
8	12.12	2.50	5.00	13.62	20.4
10	14.75	2.75	5.50	16.25	32.4
12	17.00	3.00	6.00	18.75	52.8



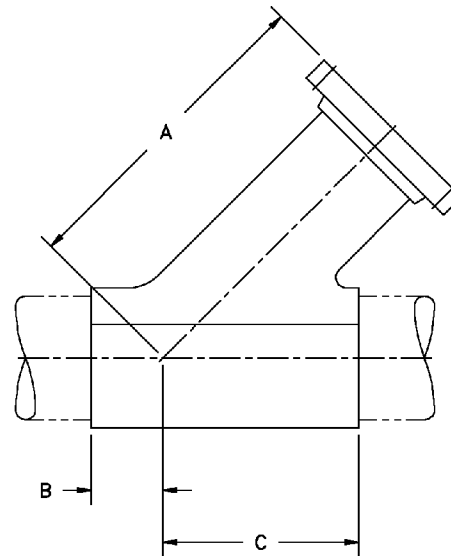
Also available with threaded or plain-end.

Full size saddles allow the installation of an outlet equal to the diameter of the main run of the pipe.

NO RETURNS ALLOWED

FIG. #67-F - Full Sized Saddle with Flanged Outlet, 45 Degree

Size	"A"	"B"	"C"	Wt.
1	9.50	3.50	4.88	1.8
1-1/2	10.00	3.62	5.50	2.5
2	11.25	3.75	6.12	4.2
2-1/2	12.00	3.88	6.75	6.1
3	13.31	4.00	7.50	7.8
4	15.75	4.25	8.75	12.6
6	19.12	4.62	11.25	19.2
8	22.62	5.00	13.62	34.8
10	26.12	5.50	16.25	50.4
12	30.62	6.00	18.75	78.0



Bolt and gasket sets are available, please see Fig. #101.

Full size saddles allow the installation of an outlet equal to the diameter of the main run of pipe.

NO RETURNS ALLOWED