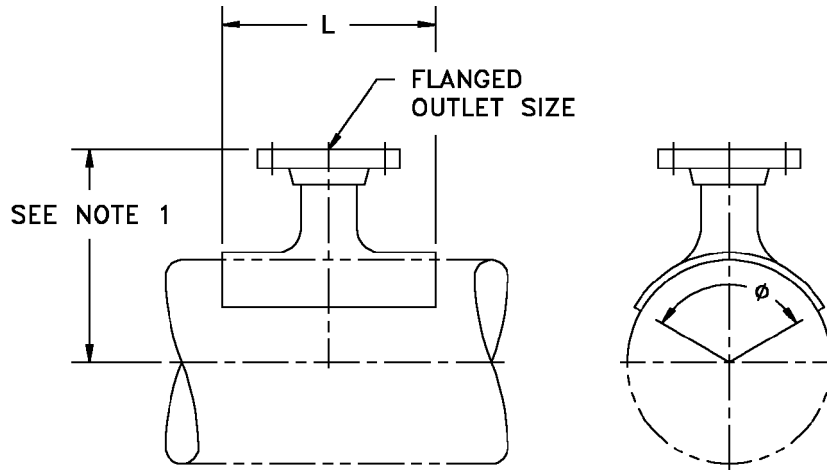




FIG. #63 - Reducing Saddle with Flanged Outlet



Size	"L"	"φ"
1-1/2 x 1	4.00	180
2 x 1	4.00	180
2-1/2 x 1	5.00	180
3 x 1	6.00	180
4 x 1	7.00	180
6 x 1	8.00	120
8 x 1	9.00	120
10 x 1	10.00	90
12 x 1	10.00	90
2 x 1-1/2	4.00	180
2-1/2 x 1-1/2	5.00	180
3 x 1-1/2	6.00	180
4 x 1-1/2	7.00	180
6 x 1-1/2	8.00	120
8 x 1-1/2	9.00	120
10 x 1-1/2	10.00	90
12 x 1-1/2	10.00	90
3 x 2	6.00	180
4 x 2	7.00	180
6 x 2	8.00	120
8 x 2	9.00	120
10 x 2	10.00	90
12 x 2	10.00	90

Size	"L"	"φ"
4 x 3	7.00	180
6 x 3	8.00	120
8 x 3	9.00	120
10 x 3	10.00	90
12 x 3	10.00	90
6 x 4	8.00	120
8 x 4	9.00	120
10 x 4	10.00	90
12 x 4	10.00	90
8 x 6	14.00	180
10 x 6	14.00	120
12 x 6	14.00	120
10 x 8	18.00	180
12 x 8	20.00	180
12 x 10	20.00	180
14 x 12	24.00	180
16 x 14	26.00	180
18 x 16	30.00	180
20 x 18	32.00	180
24 x 20	38.00	180

1. The centerline to flange face dimension is the same as Fig. #42, Flanged Tee, based on the largest pipe size (Example: a 10" x 1-1/2" flanged saddle will have a centerline to face dimension of 11"). Other centerline to face dimensions are available.
2. Bolt holes straddle vertical and horizontal centerlines.

NO RETURNS ALLOWED