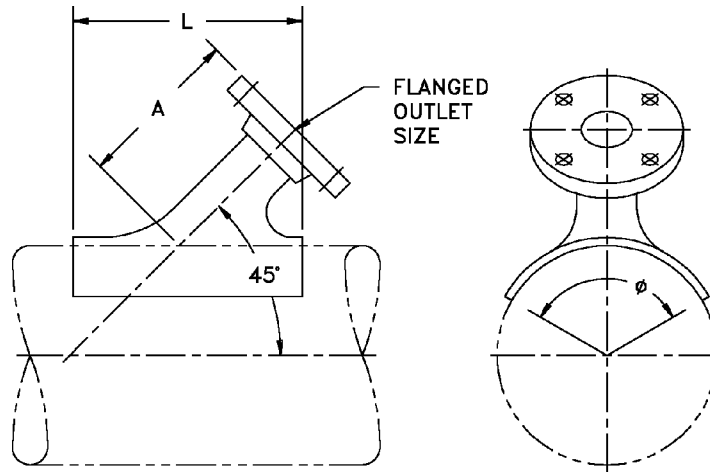




**FIG. #63-45 - Reducing Saddle with Flanged Outlet, 45 Degree**



Size	"L"	"φ"	"A"
1-1/2 x 1	7.00	180	4.87
2 x 1	7.00	180	4.87
2-1/2 x 1	7.00	180	3.87
3 x 1	7.00	180	4.87
4 x 1	7.00	180	4.87
6 x 1	8.00	120	4.87
8 x 1	9.00	120	4.87
10 x 1	10.00	90	4.87
12 x 1	10.00	90	4.87
2 x 1-1/2	7.00	180	5.37
2-1/2 x 1-1/2	7.00	180	5.37
3 x 1-1/2	7.00	180	5.37
4 x 1-1/2	7.00	180	5.37
6 x 1-1/2	8.00	120	5.37
8 x 1-1/2	9.00	120	5.37
10 x 1-1/2	10.00	90	5.37
12 x 1-1/2	10.00	90	5.37
3 x 2	7.00	180	6.00
4 x 2	7.00	180	6.00
6 x 2	8.00	120	6.00
8 x 2	9.00	120	6.00
10 x 2	10.00	90	6.00
12 x 2	10.00	90	6.00

Size	"L"	φ	"A"
4 x 3	7.00	180	7.25
6 x 3	8.00	120	7.25
8 x 3	9.00	120	7.25
10 x 3	10.00	90	7.25
12 x 3	10.00	90	7.25
6 x 4	8.00	120	8.00
8 x 4	9.00	120	8.00
10 x 4	10.00	90	8.00
12 x 4	10.00	90	8.00
8 x 6	14.00	180	9.37
10 x 6	14.00	120	9.37
12 x 6	14.00	120	9.37
10 x 8	18.00	180	10.75
12 x 8	20.00	180	10.75
12 x 10	20.00	180	12.50
14 x 12	24.00	180	14.12
16 x 14	26.00	180	15.12
18 x 16	30.00	180	17.00
20 x 18	32.00	180	18.00
24 x 20	38.00	180	20.12

NO RETURNS ALLOWED