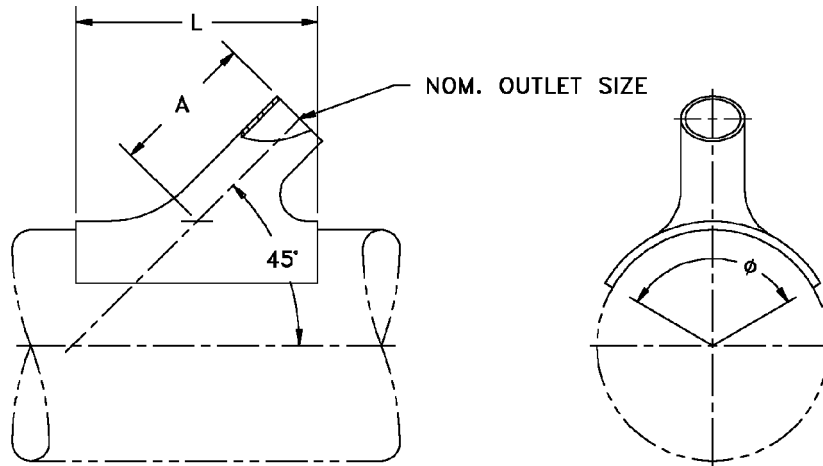


FIG. #62-45 - Reducing Saddle with Plain End Pipe Stub Outlet, 45 Degree



Size	"L"	"φ"	"A"
1-1/2 x 1	7.00	180	4.75
2 x 1	7.00	180	4.75
2-1/2 x 1	7.00	180	4.75
3 x 1	7.00	180	4.75
4 x 1	7.00	180	4.75
6 x 1	8.00	120	4.75
8 x 1	9.00	120	4.75
10 x 1	10.00	90	4.75
12 x 1	10.00	90	4.75
2 x 1-1/2	7.00	180	5.25
2-1/2 x 1-1/2	7.00	180	5.25
3 x 1-1/2	7.00	180	5.25
4 x 1-1/2	7.00	180	5.25
6 x 1-1/2	8.00	120	5.25
8 x 1-1/2	9.00	120	5.25
10 x 1-1/2	10.00	90	5.25
12 x 1-1/2	10.00	90	5.25
3 x 2	7.00	180	5.87
4 x 2	7.00	180	5.87
6 x 2	8.00	120	5.87
8 x 2	9.00	120	5.87
10 x 2	10.00	90	5.87
12 x 2	10.00	90	5.87

Size	"L"	"φ"	"A"
4 x 3	7.00	180	7.12
6 x 3	8.00	120	7.12
8 x 3	9.00	120	7.12
10 x 3	10.00	90	7.12
12 x 3	10.00	90	7.12
6 x 4	8.00	120	7.87
8 x 4	9.00	120	7.87
10 x 4	10.00	90	7.87
12 x 4	10.00	90	7.87
8 x 6	14.00	180	9.25
10 x 6	14.00	120	9.25
12 x 6	14.00	120	9.25
10 x 8	18.00	180	10.62
12 x 8	20.00	180	10.62
12 x 10	20.00	180	12.25
14 x 12	24.00	180	13.87
16 x 14	26.00	180	14.87
18 x 16	30.00	180	16.75
20 x 18	32.00	180	17.75
24 x 20	38.00	180	19.87

1. Standard saddles are manufactured with plain end pipe. Saddles with spigot ends are available at a slightly higher cost.

NO RETURNS ALLOWED