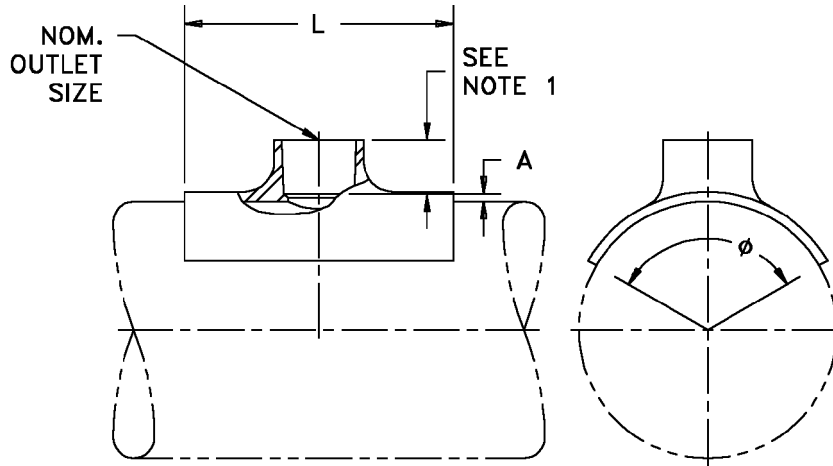




FIG. #61 - Reducing Saddle with Bell Outlet



| Size | "L" | "φ" | "A" |
|-------------|-------|-----|-----|
| 2 x 3/4 | 4.00 | 180 | .25 |
| 2-1/2 x 3/4 | 5.00 | 180 | .25 |
| 3 x 3/4 | 6.00 | 180 | .25 |
| 4 x 3/4 | 7.00 | 180 | .25 |
| 6 x 3/4 | 8.00 | 120 | .25 |
| 8 x 3/4 | 9.00 | 120 | .25 |
| 10 x 3/4 | 10.00 | 90 | .25 |
| 12 x 3/4 | 10.00 | 90 | .25 |
| 2 x 1 | 4.00 | 180 | .25 |
| 2-1/2 x 1 | 5.00 | 180 | .25 |
| 3 x 1 | 6.00 | 180 | .25 |
| 4 x 1 | 7.00 | 180 | .25 |
| 6 x 1 | 8.00 | 120 | .25 |
| 8 x 1 | 9.00 | 120 | .25 |
| 10 x 1 | 10.00 | 90 | .25 |
| 12 x 1 | 10.00 | 90 | .25 |
| 3 x 1-1/4 | 6.00 | 180 | .25 |
| 4 x 1-1/4 | 7.00 | 180 | .25 |
| 6 x 1-1/4 | 8.00 | 120 | .25 |
| 8 x 1-1/4 | 9.00 | 120 | .25 |
| 10 x 1-1/4 | 10.00 | 90 | .25 |
| 12 x 1-1/4 | 10.00 | 90 | .25 |
| 3 x 1-1/2 | 6.00 | 180 | .25 |
| 4 x 1-1/2 | 7.00 | 180 | .25 |
| 6 x 1-1/2 | 8.00 | 120 | .25 |

| Size | "L" | "φ" | "A" |
|------------|-------|-----|-----|
| 8 x 1-1/2 | 9.00 | 120 | .25 |
| 10 x 1-1/2 | 10.00 | 90 | .25 |
| 12 x 1-1/2 | 10.00 | 90 | .25 |
| 3 x 2 | 6.00 | 180 | .25 |
| 4 x 2 | 7.00 | 180 | .25 |
| 6 x 2 | 8.00 | 120 | .25 |
| 8 x 2 | 9.00 | 120 | .25 |
| 10 x 2 | 10.00 | 90 | .25 |
| 12 x 2 | 10.00 | 90 | .25 |
| 4 x 3 | 7.00 | 180 | .25 |
| 6 x 3 | 8.00 | 120 | .25 |
| 8 x 3 | 9.00 | 120 | .25 |
| 10 x 3 | 10.00 | 90 | .25 |
| 12 x 3 | 10.00 | 90 | .25 |
| 6 x 4 | 10.00 | 180 | .25 |
| 8 x 4 | 10.00 | 120 | .25 |
| 10 x 4 | 10.00 | 90 | .25 |
| 12 x 4 | 10.00 | 90 | .25 |
| 8 x 6 | 12.00 | 180 | .25 |
| 10 x 6 | 12.00 | 120 | .25 |
| 12 x 6 | 12.00 | 90 | .25 |
| 10 x 8 | 16.00 | 180 | .25 |
| 12 x 8 | 20.00 | 180 | .25 |
| 12 x 10 | 18.00 | 180 | .25 |
| 14 x 12 | 18.00 | 180 | .25 |

1. Please refer to Fig. #1, Pipe Coupling, for depth of socket.

NO RETURNS ALLOWED.