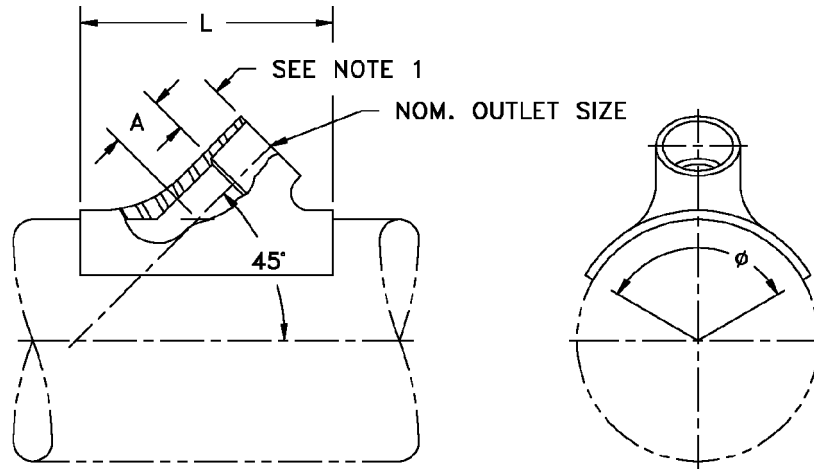




**FIG. #61-45 - Reducing Saddle with Bell Outlet, 45 Degree**



| Size        | "L"   | "φ" | "A"  |
|-------------|-------|-----|------|
| 2 x 3/4     | 4.00  | 180 | .81  |
| 3 x 3/4     | 6.00  | 180 | .81  |
| 2-1/2 x 3/4 | 5.00  | 180 | .81  |
| 4 x 3/4     | 7.00  | 180 | .81  |
| 6 x 3/4     | 8.00  | 120 | .81  |
| 8 x 3/4     | 9.00  | 120 | .81  |
| 10 x 3/4    | 10.00 | 90  | .81  |
| 12 x 3/4    | 10.00 | 90  | .81  |
| 2 x 1       | 4.00  | 180 | .93  |
| 2-1/2 x 1   | 5.00  | 180 | .93  |
| 3 x 1       | 6.00  | 180 | .93  |
| 4 x 1       | 7.00  | 180 | .93  |
| 6 x 1       | 8.00  | 120 | .93  |
| 8 x 1       | 9.00  | 120 | .93  |
| 10 x 1      | 10.00 | 90  | .93  |
| 12 x 1      | 10.00 | 90  | .93  |
| 3 x 1-1/4   | 6.00  | 180 | 1.18 |
| 4 x 1-1/4   | 7.00  | 180 | 1.18 |
| 6 x 1-1/4   | 8.00  | 120 | 1.18 |
| 8 x 1-1/4   | 9.00  | 120 | 1.18 |
| 10 x 1-1/4  | 10.00 | 90  | 1.18 |
| 12 x 1-1/4  | 10.00 | 90  | 1.18 |
| 3 x 1-1/2   | 6.00  | 180 | 1.18 |
| 4 x 1-1/2   | 7.00  | 180 | 1.18 |
| 6 x 1-1/2   | 8.00  | 120 | 1.18 |

| Size       | "L"   | "φ" | "A"  |
|------------|-------|-----|------|
| 8 x 1-1/2  | 9.00  | 120 | 1.18 |
| 10 x 1-1/2 | 10.00 | 90  | 1.18 |
| 12 x 1-1/2 | 10.00 | 90  | 1.18 |
| 3 x 2      | 6.00  | 180 | 1.43 |
| 4 x 2      | 7.00  | 180 | 1.43 |
| 6 x 2      | 8.00  | 120 | 1.43 |
| 8 x 2      | 9.00  | 120 | 1.43 |
| 10 x 2     | 10.00 | 90  | 1.43 |
| 12 x 2     | 10.00 | 90  | 1.43 |
| 4 x 3      | 7.00  | 180 | 2.00 |
| 6 x 3      | 8.00  | 120 | 2.00 |
| 8 x 3      | 9.00  | 120 | 2.00 |
| 10 x 3     | 10.00 | 90  | 2.00 |
| 12 x 3     | 10.00 | 90  | 2.00 |
| 6 x 4      | 10.00 | 180 | 2.50 |
| 8 x 4      | 10.00 | 120 | 2.50 |
| 10 x 4     | 10.00 | 90  | 2.50 |
| 12 x 4     | 10.00 | 90  | 2.50 |
| 8 x 6      | 12.00 | 180 | 3.56 |
| 10 x 6     | 12.00 | 120 | 3.56 |
| 12 x 6     | 12.00 | 90  | 3.56 |
| 10 x 8     | 16.00 | 180 | 4.56 |
| 12 x 8     | 16.00 | 120 | 4.56 |
| 12 x 10    | 18.00 | 180 | 5.62 |
| 14 x 12    | 18.00 | 180 | 6.62 |

1. Please refer to Fig. #1, Pipe Coupling, for depth of socket.

NO RETURNS ALLOWED