



Industrial Fiberglass Specialties, Inc.

521 Kiser Street, Dayton, OH 45404-1641

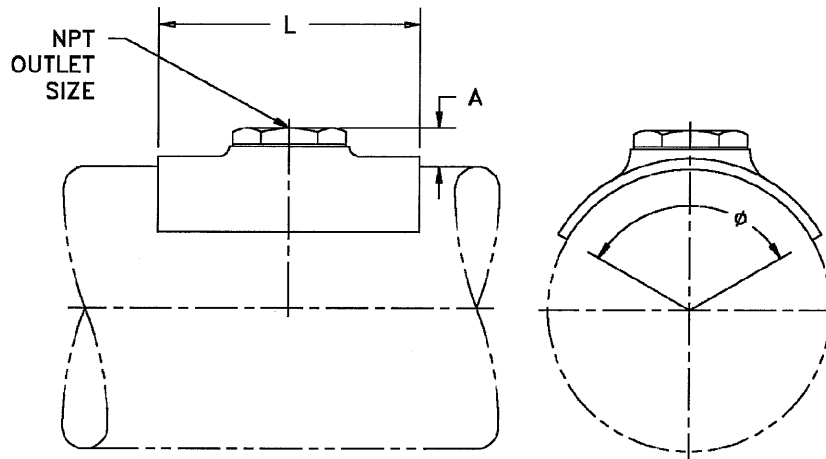
Phone: (937) 222-9000 • Fax: (937) 222-9020

Email: sales@ifs-frp.com • Web: www.ifs-frp.com

Product Catalog

24 February 2004

FIG. #60-SS - Reducing Saddle with 304 or 316 Stainless Steel Threaded Bushing Outlet



Size	"L"	"φ"	"A"
1-1/2 x 1/2	4.00	180	.93
2 x 1/2	4.00	180	.93
2-1/2 x 1/2	4.00	180	.93
3 x 1/2	4.00	180	.93
4 x 1/2	4.00	180	.93
6 x 1/2	4.00	90	.93
8 x 1/2	4.00	90	.93
10 x 1/2	4.00	90	.93
12 x 1/2	4.00	90	.93
1-1/2 x 3/4	4.00	180	1.06
2 x 3/4	4.00	180	1.06
2-1/2 x 3/4	4.00	180	1.06
3 x 3/4	4.00	180	1.06
4 x 3/4	4.00	180	1.06
6 x 3/4	4.00	90	1.06
8 x 3/4	4.00	90	1.06
10 x 3/4	4.00	90	1.06
12 x 3/4	4.00	90	1.06
2 x 1	6.00	180	1.06
2-1/2 x 1	6.00	180	1.06
3 x 1	6.00	180	1.06
4 x 1	6.00	180	1.06
6 x 1	6.00	90	1.06
8 x 1	6.00	90	1.06
10 x 1	6.00	90	1.06
12 x 1	6.00	90	1.06

Size	"L"	"φ"	"A"
2-1/2 x 1-1/4	6.00	180	1.06
3 x 1-1/4	6.00	180	1.06
4 x 1-1/4	6.00	180	1.06
6 x 1-1/4	6.00	90	1.06
8 x 1-1/4	6.00	90	1.06
10 x 1-1/4	6.00	90	1.06
12 x 1-1/4	6.00	90	1.06
3 x 1-1/2	6.00	180	1.18
4 x 1-1/2	6.00	180	1.18
6 x 1-1/2	6.00	90	1.18
8 x 1-1/2	6.00	90	1.18
10 x 1-1/2	6.00	90	1.18
12 x 1-1/2	6.00	90	1.18
4 x 2	8.00	180	1.18
6 x 2	8.00	90	1.18
8 x 2	8.00	90	1.18
10 x 2	8.00	90	1.18
12 x 2	8.00	90	1.18
6 x 2-1/2	8.00	180	1.18
8 x 2-1/2	8.00	90	1.18
10 x 2-1/2	8.00	90	1.18
12 x 2-1/2	8.00	90	1.18
6 x 3	8.00	180	1.18
8 x 3	10.00	90	1.18
10 x 3	10.00	90	1.18
12 x 3	10.00	90	1.18

NO RETURNS ALLOWED