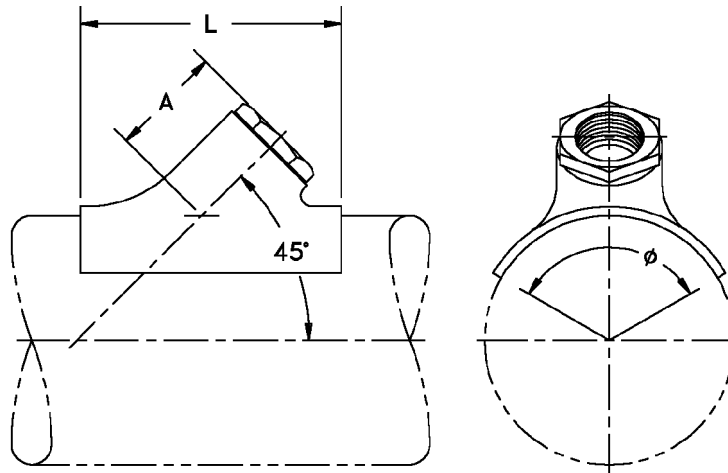




FIG. #60-SS-45 - Reducing Saddle with 304 or 316 Stainless Steel Threaded Bushing Outlet, 45 Degree



Size	"L"	"φ"	"A"
1-1/2 x 1/2	4.00	180	2.25
2 x 1/2	4.00	180	2.25
2-1/2 x 1/2	5.00	180	2.25
3 x 1/2	6.00	180	2.25
4 x 1/2	7.00	180	2.25
6 x 1/2	8.00	120	2.25
8 x 1/2	9.00	120	2.25
10 x 1/2	10.00	90	2.25
12 x 1/2	10.00	90	2.25
1-1/2 x 3/4	4.00	180	2.50
2 x 3/4	4.00	180	2.50
2-1/2 x 3/4	5.00	180	2.50
3 x 3/4	6.00	180	2.50
4 x 3/4	7.00	180	2.50
6 x 3/4	8.00	120	2.50
8 x 3/4	9.00	120	2.50
10 x 3/4	10.00	90	2.50
12 x 3/4	10.00	90	2.50
2 x 1	4.00	180	3.12
2-1/2 x 1	5.00	180	3.12
3 x 1	6.00	180	3.12
4 x 1	7.00	180	3.12
6 x 1	8.00	120	3.12
8 x 1	9.00	120	3.12
10 x 1	10.00	90	3.12
12 x 1	10.00	90	3.12

Size	"L"	"φ"	"A"
2-1/2 x 1-1/4	5.00	180	3.12
3 x 1-1/4	6.00	180	3.12
4 x 1-1/4	7.00	180	3.12
6 x 1-1/4	8.00	120	3.12
8 x 1-1/4	9.00	120	3.12
10 x 1-1/4	10.00	90	3.12
12 x 1-1/4	10.00	90	3.12
3 x 1-1/2	6.00	180	3.50
4 x 1-1/2	7.00	180	3.50
6 x 1-1/2	8.00	120	3.50
8 x 1-1/2	9.00	120	3.50
10 x 1-1/2	10.00	90	3.50
12 x 1-1/2	10.00	90	3.50
4 x 2	7.00	180	3.87
6 x 2	8.00	120	3.87
8 x 2	9.00	120	3.87
10 x 2	10.00	90	3.87
12 x 2	10.00	90	3.87
4 x 2-1/2	7.00	180	4.37
6 x 2-1/2	8.00	120	4.37
8 x 2-1/2	9.00	120	4.37
10 x 2-1/2	10.00	90	4.37
12 x 2-1/2	10.00	90	4.37
6 x 3	8.00	120	5.00
8 x 3	9.00	120	5.00
10 x 3	10.00	90	5.00
12 x 3	10.00	90	5.00

NO RETURNS ALLOWED