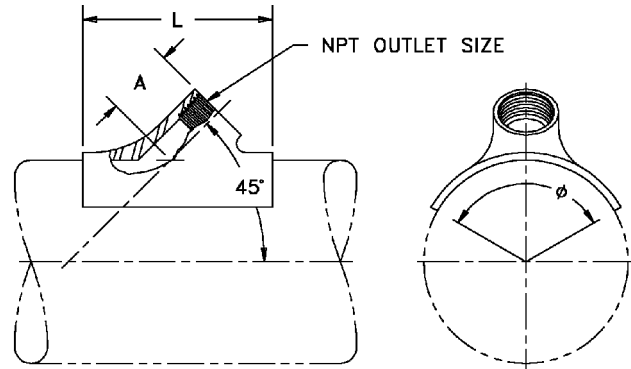


FIG. #60-45 - Reducing Saddle with Fiberglass NPT Threaded Outlet, 45 Degree

Size	"L"	"φ"	"A"
1-1/2 x 1/2	4.00	180	1.56
2 x 1/2	4.00	180	1.56
2-1/2 x 1/2	5.00	180	1.56
3 x 1/2	6.00	180	1.56
4 x 1/2	7.00	180	1.56
6 x 1/2	8.00	120	1.56
8 x 1/2	9.00	120	1.56
10 x 1/2	10.00	90	1.56
12 x 1/2	10.00	90	1.56
1-1/2 x 3/4	4.00	180	1.81
2 x 3/4	4.00	180	1.81
2-1/2 x 3/4	5.00	180	1.81
3 x 3/4	6.00	180	1.81
4 x 3/4	7.00	180	1.81
6 x 3/4	8.00	120	1.81
8 x 3/4	9.00	120	1.81
10 x 3/4	10.00	90	1.81
12 x 3/4	10.00	90	1.81
1-1/2 x 1	4.00	180	2.06
2 x 1	4.00	180	2.06
2-1/2 x 1	5.00	180	2.06
3 x 1	6.00	180	2.06
4 x 1	7.00	180	2.06
6 x 1	8.00	120	2.06
8 x 1	9.00	120	2.06
10 x 1	10.00	90	2.06
12 x 1	10.00	90	2.06
2-1/2 x 1-1/4	5.00	180	2.25
3 x 1-1/4	6.00	180	2.25
4 x 1-1/4	7.00	180	2.25
6 x 1-1/4	8.00	120	2.25
8 x 1-1/4	9.00	120	2.25
10 x 1-1/4	10.00	90	2.25
12 x 1-1/4	10.00	90	2.25
2-1/2 x 1-1/2	5.00	180	2.62
3 x 1-1/2	6.00	180	2.62
4 x 1-1/2	7.00	180	2.62
6 x 1-1/2	8.00	120	2.62
8 x 1-1/2	9.00	120	2.62
10 x 1-1/2	10.00	90	2.62
12 x 1-1/2	10.00	90	2.62



Size	"L"	"φ"	"A"
3 x 2	6.00	180	2.87
4 x 2	7.00	180	2.87
6 x 2	8.00	120	2.87
8 x 2	9.00	120	2.87
10 x 2	10.00	90	2.87
12 x 2	10.00	90	2.87
4 x 2-1/2	7.00	180	3.31
6 x 2-1/2	8.00	120	3.31
8 x 2-1/2	9.00	120	3.31
10 x 2-1/2	10.00	90	3.31
12 x 2-1/2	10.00	90	3.31
4 x 3	7.00	180	3.75
6 x 3	8.00	120	3.75
8 x 3	9.00	120	3.75
10 x 3	10.00	90	3.75
12 x 3	10.00	90	3.75
6 x 4	10.00	180	4.25
8 x 4	10.00	120	4.25
10 x 4	10.00	120	4.25
12 x 4	10.00	90	4.25
8 x 6	12.00	180	6.00
10 x 6	12.00	120	6.00
12 x 6	12.00	90	6.00
10 x 8	16.00	180	7.37
12 x 8	16.00	180	7.37
14 x 8	16.00	120	7.37

NO RETURNS ALLOWED