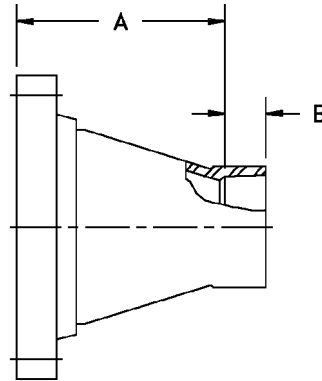


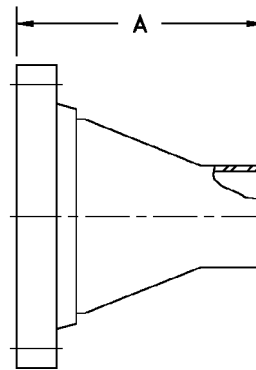


FIG. #57 - Concentric Tapered Body Reducer, Combination Coupled

| Size | "A" | "B" | Wt. |
|----------------------|------|------|------|
| Flange x Bell | | | |
| 1-1/2 x 1 | 4.5 | 1.06 | 1.0 |
| 2 x 1 | 5.0 | 1.06 | 2.1 |
| 2 x 1-1/2 | 5.0 | 1.37 | 2.5 |
| 2-1/2 x 1-1/2 | 5.5 | 1.37 | 3.7 |
| 2-1/2 x 2 | 5.5 | 1.81 | 3.7 |
| 3 x 1-1/2 | 6.0 | 1.37 | 4.4 |
| 3 x 2 | 6.0 | 1.81 | 4.2 |
| 3 x 2-1/2 | 6.0 | 1.81 | 4.6 |
| 4 x 2 | 7.0 | 1.81 | 6.5 |
| 4 x 2-1/2 | 7.0 | 1.81 | 6.5 |
| 4 x 3 | 7.0 | 1.81 | 6.5 |
| 6 x 3 | 9.0 | 1.81 | 12.3 |
| 6 x 4 | 9.0 | 1.81 | 12.4 |
| 6 x 5 | 9.0 | 1.81 | 12.4 |
| 8 x 4 | 11.0 | 1.81 | 18.0 |
| 8 x 5 | 11.0 | 1.81 | 18.0 |
| 8 x 6 | 11.0 | 2.25 | 18.0 |
| 10 x 6 | 12.0 | 2.25 | 24.0 |
| 10 x 8 | 12.0 | 2.50 | 24.0 |
| 12 x 8 | 14.0 | 2.50 | 33.0 |
| 12 x 10 | 14.0 | 2.75 | 33.0 |
| 14 x 10 | 16.0 | 2.75 | 48.0 |
| 14 x 12 | 16.0 | 3.00 | 48.0 |
| 16 x 12 | 18.0 | 3.00 | 62.0 |



Flange x Bell



Flange x Plain-End

| Size | "A" | Wt. |
|---------------------------|------|------|
| Flange x Plain End | | |
| 1-1/2 x 1 | 4.38 | 1.0 |
| 2 x 1 | 4.38 | 2.1 |
| 2 x 1-1/2 | 4.88 | 2.5 |
| 2-1/2 x 1-1/2 | 5.38 | 3.7 |
| 2-1/2 x 2 | 5.38 | 3.7 |
| 3 x 1-1/2 | 5.88 | 4.4 |
| 3 x 2 | 5.88 | 4.2 |
| 3 x 2-1/2 | 5.88 | 4.6 |
| 4 x 2 | 6.88 | 6.5 |
| 4 x 2-1/2 | 6.88 | 6.5 |
| 4 x 3 | 6.88 | 6.5 |
| 6 x 3 | 8.88 | 12.3 |

| Size | "A" | Wt. |
|---------------------------|-------|------|
| Flange x Plain End | | |
| 6 x 4 | 8.88 | 12.4 |
| 6 x 5 | 8.88 | 12.9 |
| 8 x 4 | 10.88 | 18.0 |
| 8 x 5 | 10.88 | 18.0 |
| 8 x 6 | 10.88 | 18.0 |
| 10 x 6 | 11.88 | 24.0 |
| 10 x 8 | 11.88 | 24.0 |
| 12 x 8 | 13.88 | 33.0 |
| 12 x 10 | 13.88 | 33.0 |
| 14 x 10 | 15.88 | 48.0 |
| 14 x 12 | 15.88 | 48.0 |
| 16 x 12 | 17.88 | 62.0 |

| Size | "A" | Wt. |
|---------------------------|-------|-------|
| Flange x Plain End | | |
| 16 x 14 | 17.75 | 62.0 |
| 18 x 14 | 18.75 | 72.0 |
| 18 x 16 | 18.75 | 72.0 |
| 20 x 16 | 19.75 | 100.0 |
| 20 x 18 | 19.75 | 100.0 |
| 24 x 18 | 23.75 | 150.0 |
| 24 x 20 | 23.75 | 160.0 |

Other sizes and combinations are available. Plain-end reducers are available with socket-ends for adhesive joining. Please see Fig. #90 for butt-and-wrap kits for plain-end reducers. Bolt and gasket sets are available. Please see Fig. #101.

NO RETURNS ALLOWED