

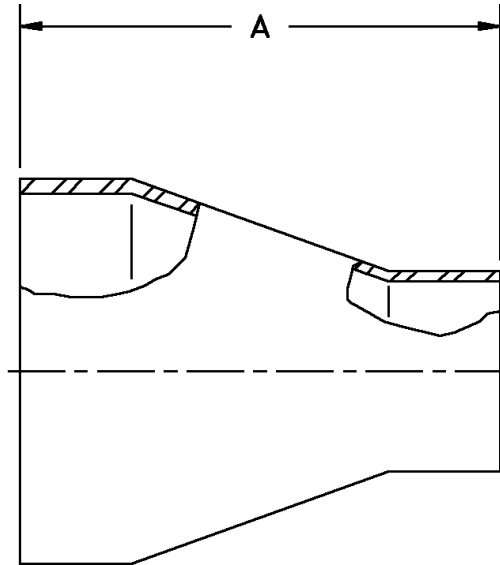


Industrial Fiberglass Specialties, Inc.
521 Kiser Street, Dayton, OH 45404-1641
Phone: (937) 222-9000 • Fax: (937) 222-9020
Email: sales@ifs-frp.com • Web: www.ifs-frp.com

Product Catalog
24 February 2004

FIG. #50-PE - Concentric Tapered Body Reducer, Plain End

Size	"A"	Wt.
1-1/2 x 1	4.25	0.4
2 x 1	4.75	0.6
2 x 1-1/2	4.75	1.0
2-1/2 x 1	5.25	1.2
2-1/2 x 1-1/2	5.25	1.2
2-1/2 x 2	5.25	1.2
3 x 1-1/2	5.75	1.4
3 x 2	5.75	1.4
3 x 2-1/2	5.75	1.6
4 x 2	6.75	2.0
4 x 2-1/2	6.75	2.0
4 x 3	6.75	2.5
6 x 3	8.75	3.4
6 x 4	8.75	3.4
6 x 5	8.75	3.4
8 x 4	10.75	6.0
8 x 5	10.75	6.0
8 x 6	10.75	6.5
10 x 6	11.75	9.0
10 x 8	11.75	9.0
12 x 8	13.75	12.0
12 x 10	13.75	12.0
14 x 10	15.62	18.0
14 x 12	15.62	18.0
16 x 12	17.62	18.0
16 x 14	17.62	22.0
18 x 14	18.50	26.0
18 x 16	18.50	26.0
20 x 16	19.50	30.0
20 x 18	19.50	30.0
24 x 18	23.50	38.0
24 x 20	23.50	38.0



Other sizes and combinations are available. Please see Fig. #90 for butt and wrap kits for plain end reducers. Plain end reducers are available with socket ends for adhesive joining.

NO RETURNS ALLOWED