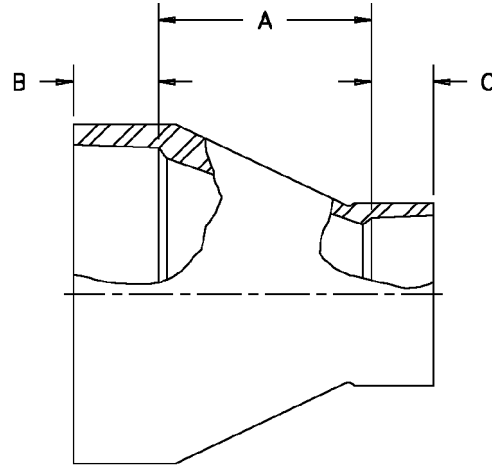




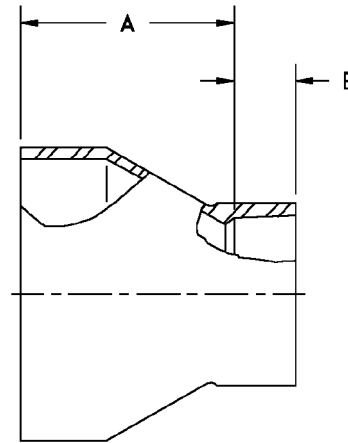
TAPERED BODY REDUCERS

FIG. #50-BE - Concentric Tapered Body Reducer, Bell End (or Plain End x Bell End)

Size	"A"	"B"	"C"	Wt.
Bell x Bell				
1-1/2 x 1	1.25	1.25	1.06	0.4
2 x 1	2.75	1.81	1.06	0.6
2 x 1-1/2	1.75	1.81	1.25	1.0
2-1/2 x 1-1/2	2.38	1.81	1.81	1.2
2-1/2 x 2	2.50	1.81	1.81	1.2
3 x 1-1/2	3.75	1.81	1.81	1.4
3 x 2	2.50	1.81	1.81	1.4
3 x 2-1/2	1.25	1.81	1.81	1.6
4 x 2	2.50	1.81	1.81	2.0
4 x 2-1/2	3.75	1.81	1.81	2.0
4 x 3	2.50	1.81	1.81	2.0
6 x 3	5.13	2.25	1.81	3.4
6 x 4	4.75	2.25	1.81	3.4
6 x 5	3.38	2.25	1.81	4.0
8 x 4	6.25	2.50	1.81	6.0
8 x 5	8.75	2.50	1.81	6.0
8 x 6	5.62	2.50	2.25	6.0
10 x 6	6.00	2.75	2.25	9.0
10 x 8	6.00	2.75	2.50	9.0
12 x 8	7.63	3.00	2.50	12.0
12 x 10	7.50	3.00	2.75	12.0
Plain End x Bell				
14 x 10	12.75	2.75	-	-
14 x 12	12.25	3.00	-	-
16 x 12	14.25	3.00	-	-



Bell x Bell



Plain End x Bell

For larger reducers please see Fig. #50-PE. Other sizes and combinations are available. Please see Fig. #90 for butt and wrap kits for plain end reducers. Reducers 14" and larger are available with socket ends for adhesive joining.