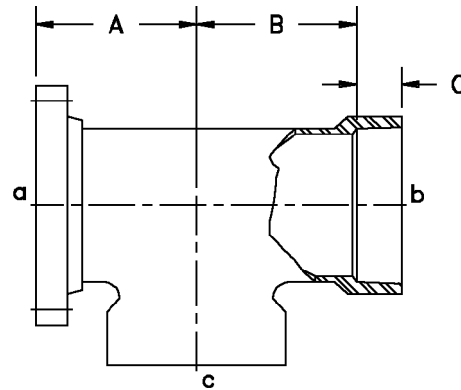


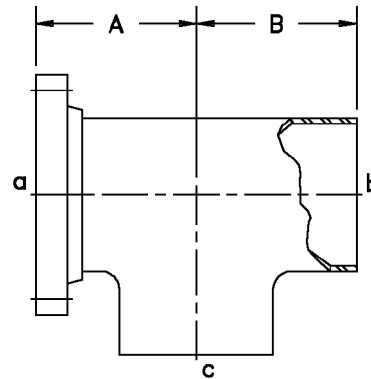


FIG. #44 - Tee, ANSI Flange x Combination Coupled

Size	"A"	"B"	"C"	Wt.
Flange x Bell x Bell				
1/2	2.50	1.25	0.875	1.1
3/4	2.50	1.25	1.00	1.1
1	3.50	1.62	1.06	1.5
1-1/2	4.00	2.37	1.25	2.1
2	4.50	2.62	1.81	3.5
2-1/2	5.00	3.12	1.81	5.1
3	5.50	3.62	1.81	6.5
4	6.50	4.12	1.81	10.5
6	8.00	5.62	2.25	16.0
8	9.00	9.00	2.50	29.0
10	11.00	11.00	2.75	32.0
12	12.00	12.00	3.00	65.0
14	14.00	14.00	3.00	71.0
16	15.00	15.00	3.50	90.0
Flange x Plain End x Plain End				
14	14.00	13.75	-	71.0
16	15.00	14.75	-	90.0
18	16.50	16.25	-	105.0
20	18.00	17.75	-	140.0
24	22.00	21.75	-	185.0



Flange x Bell x Bell



Flange x Plain End x Plain End

Fittings meet the centerline-to-flange-face dimension of ANSI B16.5, 150 lb. Tees 1/2" through 12" are rated for 150 psi. Tees 14" and larger are rated for 100 psi. Higher pressure ratings are available. Plain ends are designed for butt-and-wrap joining. Please see Fig. #90 for butt-and-wrap kits. Bolt and gasket sets are available. Please see Fig. #101.

NO RETURNS ALLOWED