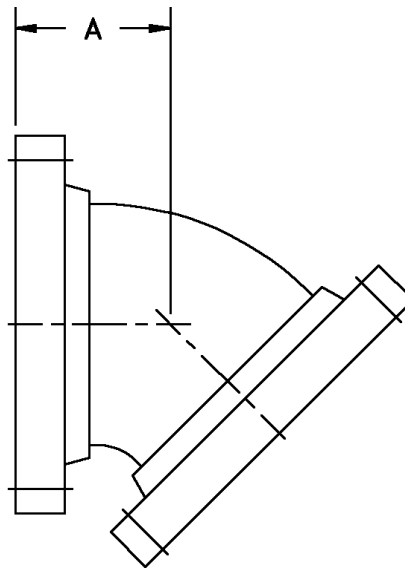


FIG. #32 - 45 Degree Elbow, ANSI 150 lb. Flanged

Size	"A"	Wt.
3/4	1.50	1.7
1	1.75	2.0
1-1/2	2.25	3.0
2	2.50	5.0
2-1/2	3.00	7.5
3	3.00	9.0
4	4.00	13.0
5	C.F.	C.F.
6	5.00	22.0
8	5.50	35.0
10	6.50	50.0
12	7.50	82.0
14	7.50	94.0
16	8.00	112.0
18	8.50	134.0
20	9.50	185.0
24	11.00	342.0

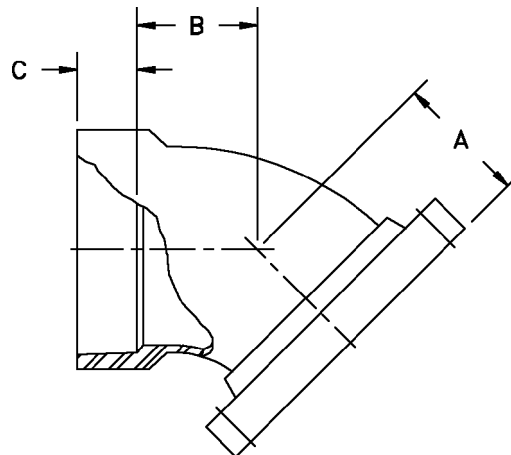


C.F. - Consult factory for dimensions.

Fittings meet the centerline-to-flange-face dimension of ANSI B16.5, 150 lb. Elbows 3/4" through 12" are rated for 150 psi. Elbows 14" and larger are rated for 100 psi. Higher pressure ratings are available. 14" to 24" ANSI elbows are mitered and overwound. Bolt and Gasket sets are available. Please see Fig. #101.

FIG. #33 - 45 Degree Elbow, ANSI 150 lb. Flange x Bell End

Size	"A"	"B"	"C"	Wt.
1	1.75	1.75	1.06	1.5
1-1/2	2.25	2.25	1.25	2.3
2	2.50	2.50	1.81	4.0
2-1/2	3.00	3.00	1.81	6.0
3	3.00	3.00	1.81	7.0
4	4.00	4.00	1.81	10.0
5	C.F.	C.F.	C.F.	C.F.
6	5.00	5.00	2.25	15.0
8	5.50	5.50	2.50	23.0
10	6.50	6.50	2.75	24.0
12	7.50	7.50	3.00	54.0



C.F. - Consult factory for dimensions.

Larger fittings flange x bell-end available on request. All elbows are rated for 150 psi. Higher pressure ratings are available. Fittings meet the centerline-to-flange-face dimension of ANSI B16.5, 150 lb. Bolt and gasket sets are available. Please see Fig. #101.

NO RETURNS ALLOWED