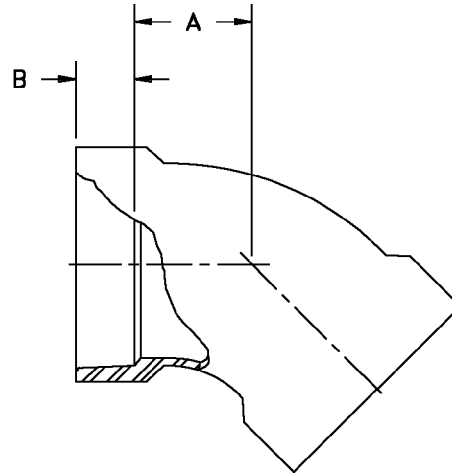




## 45 DEGREE ELBOWS

**FIG. #30 - 45 Degree Elbow, Bell End**

| Size  | "A"   | "B"  | Wt.   |
|-------|-------|------|-------|
| 1     | 1.00  | 1.06 | 0.5   |
| 1-1/2 | 1.50  | 1.25 | 0.7   |
| 2     | 1.25  | 1.81 | 1.2   |
| 2-1/2 | 2.50  | 1.81 | 1.7   |
| 3     | 1.87  | 1.81 | 2.2   |
| 4     | 2.50  | 1.81 | 2.9   |
| 5     | C.F.  | C.F. | C.F.  |
| 6     | 3.75  | 2.25 | 6.4   |
| 8     | 5.00  | 2.50 | 8.4   |
| 10    | 6.25  | 2.75 | 16.0  |
| 12    | 7.50  | 3.00 | 27.0  |
| 14    | 8.81  | 3.00 | 30.0  |
| 16    | 10.00 | 3.50 | 36.0  |
| 18    | 11.25 | 3.75 | 56.0  |
| 20    | 12.50 | 4.75 | 72.0  |
| 24    | 15.00 | 4.75 | 118.0 |
| 30    | 18.63 | 4.06 | 199.0 |
| 36    | 22.50 | 4.30 | 363.0 |



C.F. - Consult factory for dimensions.

Larger fittings with bell-ends available on request. Elbows 1" through 12" are rated for 150 psi. Elbows 14" and larger are rated for 100 psi. Higher pressure ratings are available. Bell-ends are designed to fit pipe with O.D.s as shown in Fig. #1. Please state pipe O.D. or manufacturer when ordering bell-end fittings for pipe with different O.D.s.

Note: Bell dimensions and weights are for 100/150 psi pressure rated elbows. See Fig. #30-25 for 25 psi and duct rated elbows.