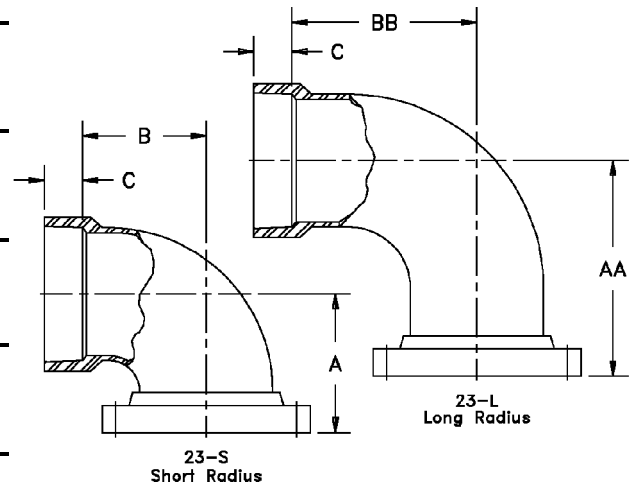




**FIG. #23-S/23-L - 90 Degree Elbow, Short or Long Radius, ANSI 150 lb. Flange x Bell End**

| Size  | "A"<br>Short<br>Radius<br>23-S | "AA"<br>Long<br>Radius<br>23-L | "B"<br>Short<br>Radius<br>23-S | "BB"<br>Long<br>Radius<br>23-L | "C"<br>Short<br>& Long<br>Radius | Wt.  |
|-------|--------------------------------|--------------------------------|--------------------------------|--------------------------------|----------------------------------|------|
| 1/2   | 2.50                           | N.A.                           | .50                            | N.A.                           | .87                              | 0.8  |
| 3/4   | 2.75                           | N.A.                           | .75                            | N.A.                           | 1.00                             | 1.0  |
| 1     | 3.50                           | 5.00                           | 1.00                           | 1.50                           | 1.06                             | 1.2  |
| 1-1/2 | 4.00                           | 6.00                           | 1.50                           | 2.25                           | 1.25                             | 1.6  |
| 2     | 4.50                           | 6.50                           | 2.00                           | 3.00                           | 1.81                             | 3.0  |
| 2-1/2 | 5.00                           | N.A.                           | 2.50                           | N.A.                           | 1.81                             | 4.0  |
| 3     | 5.50                           | 7.75                           | 3.00                           | 4.50                           | 1.81                             | 5.5  |
| 4     | 6.50                           | 9.00                           | 4.00                           | 6.00                           | 1.81                             | 7.8  |
| 5     | C.F.                           | C.F.                           | C.F.                           | C.F.                           | C.F.                             | C.F. |
| 6     | 8.00                           | 11.50                          | 6.00                           | 9.00                           | 2.25                             | 13.5 |
| 8     | 9.00                           | 14.00                          | 8.00                           | 12.00                          | 2.50                             | 23.0 |
| 10    | 11.00                          | 16.50                          | 10.00                          | 15.00                          | 2.75                             | 34.0 |
| 12    | 12.00                          | 19.00                          | 12.00                          | 18.00                          | 3.00                             | 49.0 |
| 14    | C.F.                           | C.F.                           | C.F.                           | C.F.                           | C.F.                             | C.F. |
| 16    | C.F.                           | C.F.                           | C.F.                           | C.F.                           | C.F.                             | C.F. |
| 18    | C.F.                           | C.F.                           | C.F.                           | C.F.                           | C.F.                             | C.F. |
| 20    | C.F.                           | C.F.                           | C.F.                           | C.F.                           | C.F.                             | C.F. |
| 24    | C.F.                           | C.F.                           | C.F.                           | C.F.                           | C.F.                             | C.F. |
| 30    | C.F.                           | C.F.                           | C.F.                           | C.F.                           | C.F.                             | C.F. |
| 36    | C.F.                           | C.F.                           | C.F.                           | C.F.                           | C.F.                             | C.F. |



N.A. - Fitting not available. C.F. - Consult factory for dimensions.

Fittings meet the centerline-to-flange-face dimension of ANSI B16.5, 150 lb. All fittings are rated for 150 psi. Higher pressure ratings are available. When ordering please specify Fig. #23-S for short radius & Fig. #23-L for long radius elbow per above dimensions. Bolt and gasket sets are available. Please see Fig. #101.

NO RETURNS ALLOWED