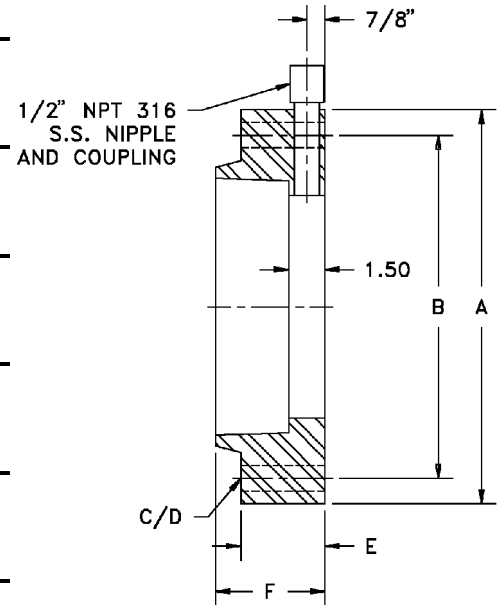




FIG. #19 - Orifice Flange, Filament Wound

Size	"A" Fig. O.D.	"B" Bolt Circle	"C" Number Holes	"D" Dia. Holes	"E"	"F"	Wt.
1	4.25	3.12	4	5/8	1.62	2.31	1.0
1-1/2	5.00	3.87	4	5/8	1.75	2.50	1.1
2	6.00	4.75	4	3/4	2.00	2.68	2.8
2-1/2	7.00	5.50	4	3/4	2.12	2.62	4.5
3	7.50	6.00	4	3/4	2.12	2.62	5.2
4	9.00	7.50	8	3/4	2.37	3.06	6.5
5	10.00	8.50	8	7/8	2.75	3.50	9.0
6	11.00	9.50	8	7/8	2.75	3.50	10.0
8	13.50	11.75	8	7/8	2.87	3.75	18.0
10	16.00	14.25	12	1	3.12	4.00	24.0
12	19.00	17.00	12	1	3.25	4.25	30.0
14	21.00	18.75	12	1-1/8	3.50	4.25	42.0
16	23.50	21.25	16	1-1/8	4.12	4.87	52.0
18	25.00	22.75	16	1-1/4	4.37	5.12	61.0
20	27.50	25.00	20	1-1/4	5.12	6.12	95.0
24	32.00	29.50	20	1-3/8	5.37	6.12	160.0
30	38.75	36.00	28	1-3/8	5.75	6.75	170.0
36	46.00	42.75	32	1-5/8	6.00	7.00	210.0



Flanges drilled to ANSI B16.5, 150 lb. Please refer to Appendix B for Flange Assembly Instructions. Also available with double outlets on special order. Other outlet sizes are available on special order. Outlets are available in material other than stainless steel.

NO RETURNS ALLOWED