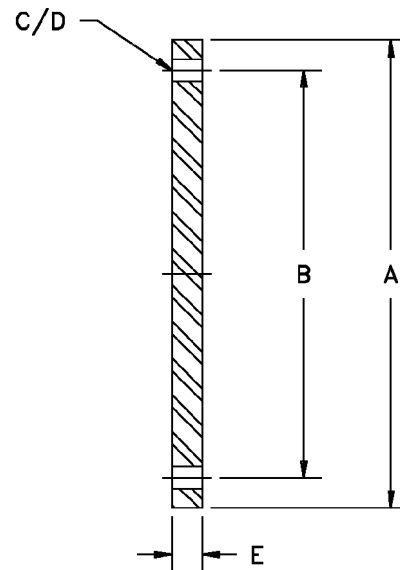




FIG. #16-25 - 25 psi Blind Flange

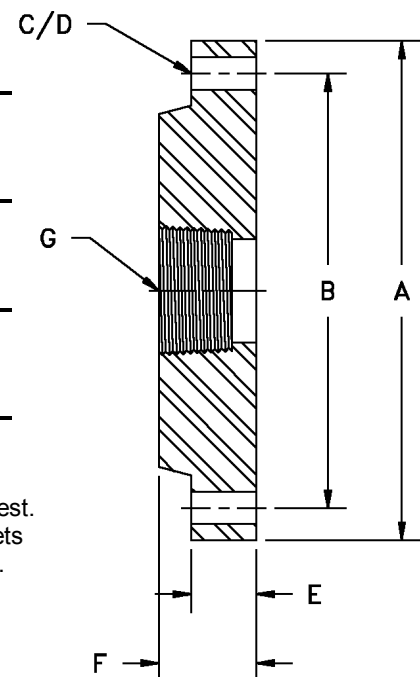
Size	"A" Fig. O.D.	"B" Bolt Circle	"C" Number Holes	"D" Dia. Holes	"E"	Wt.
6	11.00	9.50	8	5/8	.56	11.0
8	13.50	11.75	8	5/8	.87	14.4
10	16.00	14.25	12	5/8	1.00	18.0
12	19.00	17.00	12	5/8	1.00	27.0
14	21.00	18.75	12	5/8	1.00	37.2
16	23.50	21.25	16	5/8	1.00	48.0
18	25.00	22.75	16	5/8	1.13	57.6
20	27.50	25.00	20	3/4	1.25	93.6
24	32.00	29.50	20	3/4	1.50	138.0
30	38.75	36.00	28	3/4	1.50	180.0
36	46.00	42.75	32	3/4	1.75	243.0



Flanges rated for 25 psi are designed to be bolted to flat face flanges only. 25 psi blind flanges are designed for low pressure applications such as tank outlets and manways, and duct blind flanges. Flange drilling to ANSI B16.5, 150 lb. is also available. Please specify on order.

FIG. #17 - 150 lb. NPT Threaded Flange, Filament Wound 150 lb. NPT Threaded

Size	"A" Fig. O.D.	"B" Bolt Circle	"C" Number Holes	"D" Dia. Holes	"E"	"F"	"G" NPT Thread
1	4.25	3.12	4	5/8	.75	1.18	1/2 thru 1
1-1/2	5.00	3.87	4	5/8	.81	1.37	1/2 thru 1-1/2
2	6.00	4.75	4	3/4	.81	1.48	1/2 thru 2
2-1/2	7.00	5.50	4	3/4	1.00	1.50	1/2 thru 2-1/2
3	7.50	6.00	4	3/4	1.12	1.65	1/2 thru 3
4	9.00	7.50	8	3/4	1.18	2.00	1/2 thru 4
5	10.00	8.50	8	7/8	1.37	2.00	1/2 thru 4
6	11.00	9.50	8	7/8	1.56	2.37	1/2 thru 6
8	13.50	11.75	8	7/8	1.75	2.62	1/2 thru 8
10	16.00	14.25	12	1	2.12	3.00	1/2 thru 8
12	19.00	17.00	12	1	2.25	3.25	1/2 thru 8



Flange drilled to ANSI B16.5, 150 lb. Stainless steel bushings available on request. Please refer to Appendix B for Flange Assembly Instructions. Bolt and gasket sets are available. Please see Fig. #101. Sizes to 36" also available. Please inquire.

NO RETURNS ALLOWED