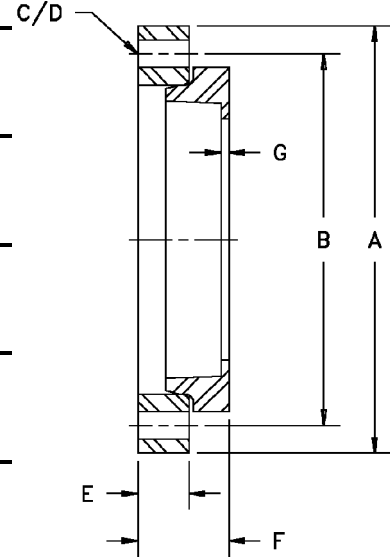




**FIG. #15-VS - 150 lb. Van Stone Socket Flange, Filament Wound**

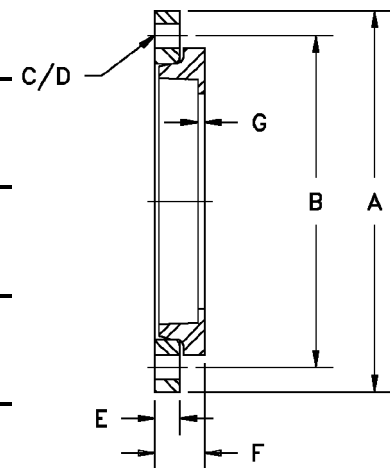
Size	"A" Fig. O.D.	"B" Bolt Circle	"C" Number Holes	"D" Dia. Holes	"E"	"F"	"G"	Wt.
1	4.25	3.12	4	5/8	.75	1.50	.12	1.25
1-1/2	5.00	3.87	4	5/8	.81	1.62	.12	1.80
2	6.00	4.75	4	3/4	.81	1.62	.12	2.50
2-1/2	7.00	5.50	4	3/4	1.00	2.00	.12	3.50
3	7.50	6.00	4	3/4	1.12	2.25	.12	3.75
4	9.00	7.50	8	3/4	1.00	2.12	.12	5.00
5	10.00	8.50	8	7/8	1.37	2.75	.12	6.40
6	11.00	9.50	8	7/8	1.38	3.12	.12	7.50
8	13.50	11.75	8	7/8	1.50	3.00	.12	12.40
10	16.00	14.25	12	1	2.00	4.00	.25	17.50
12	19.00	17.00	12	1	2.12	4.25	.25	26.30
14	21.00	18.75	12	1-1/8	2.37	4.75	.25	36.00
16	23.50	21.25	16	1-1/8	2.75	5.50	.25	50.00
18	25.00	22.75	16	1-1/4	3.00	6.00	.25	52.00
20	27.50	25.00	20	1-1/4	4.00	8.00	.25	85.00
24	32.00	29.50	20	1-3/8	4.25	8.50	.25	120.00
30	Special Order							
36	Special Order							



Van-Stone flanges allow orientation of bolt holes on any centerline due to the loose flange ring. Van-Stone flanges are drilled to ANSI B16.5, 150 lb. Please refer to Appendix B for Flange Assembly Instructions.

**FIG. #15-VS-25 - 25 psi Van Stone Socket Flange, Filament Wound**

Size	"A" Fig. O.D.	"B" Bolt Circle	"C" Number Holes	"D" Dia. Holes	"E"	"F"	"G"	Wt.
6	11.00	9.50	8	5/8	.56	1.31	.12	6.0
8	13.50	11.75	8	5/8	.88	1.75	.12	9.0
10	16.00	14.25	12	5/8	1.00	2.00	.12	12.0
12	19.00	17.00	12	5/8	1.00	2.00	.12	18.0
14	21.00	18.75	12	5/8	1.00	2.00	.25	22.5
16	23.50	21.25	16	5/8	1.00	2.00	.25	28.5
18	25.00	22.75	16	5/8	1.13	2.25	.25	37.5
20	27.50	25.00	20	3/4	1.25	2.50	.25	48.5
24	32.00	29.50	20	3/4	1.50	3.00	.25	66.0
30	Special Order							
36	Special Order							



Flanges rated for 25 psi are designed to be bolted to flat face flanges only. Van-Stone flanges allow orientation of bolt holes on any centerline due to loose flange ring. 25 psi flanges are designed for low pressure applications such as tank outlets, manways and duct flanges. Flange drilling to ANSI B16.5 150 lb. is also available, please specify on order.