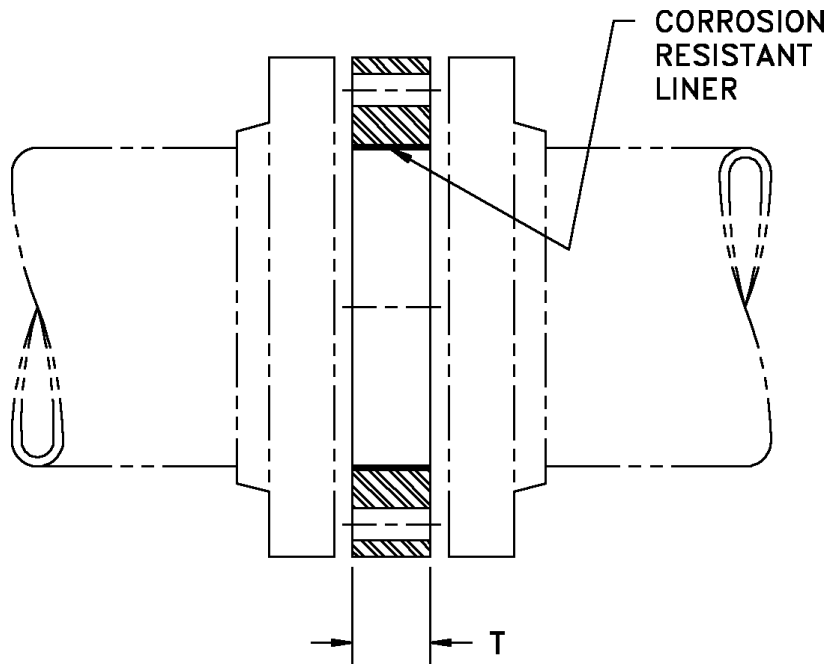


Industrial Fiberglass Specialties, Inc.
521 Kiser Street, Dayton, OH 45404-1641
Phone: (937) 222-9000 • Fax: (937) 222-9020
Email: sales@ifs-frp.com • Web: www.ifs-frp.com

Product Catalog
24 February 2004

FIG. #15-S - 150 lb. Spacer Flange, Filament Wound

Size	"T" Min. Thk.
1/2	.25
3/4	.25
1	.25
1-1/2	.25
2	.25
2-1/2	.25
3	.25
4	.25
5	.25
6	.25
8	.25
10	.25
12	.25
14	.25
16	.25
18	.25
20	.25
24	.25
30	.25
36	.25



Flange Spacers are designed to bolt between two flanges where a separation exists due to equipment changes or field repairs. Flange spacers are manufactured to your specifications on size, thickness, shape and bolt hole pattern. Standard flange spacers are drilled to ANSI B16.5 150 lb. Other bolt hole patterns are available. Flange spacers are rated for 150 psi.

NO RETURNS ALLOWED