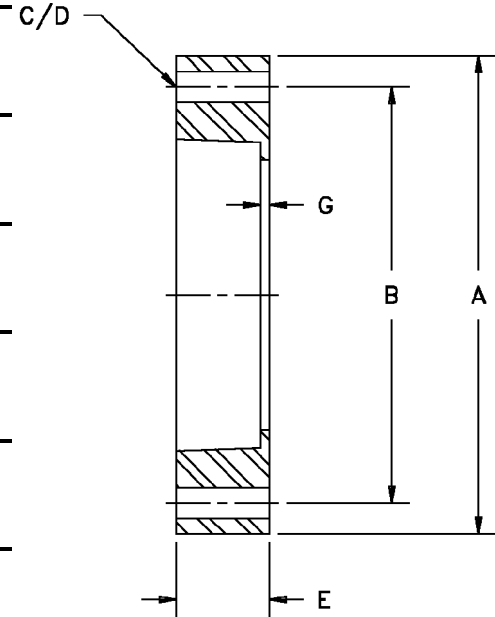




FIG. #15-HD - 150 lb. Heavy Duty (Hubless) Socket Flange, Filament-Wound

Size	"A" Fig. O.D.	"B" Bolt Circle	"C" Number Holes	"D" Dia. Holes	"E" Fig. Thk.	"G"	Wt.
1/2	3.50	2.37	4	5/8	1.00	.12	.4
3/4	3.87	2.75	4	5/8	1.00	.12	.6
1	4.25	3.12	4	5/8	1.18	.12	.8
1-1/2	5.00	3.87	4	5/8	1.37	.12	1.0
2	6.00	4.75	4	3/4	1.94	.12	2.0
2-1/2	7.00	5.50	4	3/4	1.94	.12	3.0
3	7.50	6.00	4	3/4	2.00	.12	4.0
4	9.00	7.50	8	3/4	2.00	.12	6.0
6	11.00	9.50	8	7/8	2.37	.12	9.5
8	13.50	11.75	8	7/8	2.62	.12	15.0
10	16.00	14.25	12	1	3.00	.25	22.0
12	19.00	17.00	12	1	3.25	.25	34.5
14	21.00	18.75	12	1-1/8	3.25	.25	40.0
16	23.50	21.25	16	1-1/8	3.75	.25	55.5
18	25.00	22.75	16	1-1/4	4.00	.25	58.5
20	27.50	25.00	20	1-1/4	5.00	.25	86.5
24	32.00	29.50	20	1-3/8	5.00	.25	109.5
30	38.75	36.00	28	1-3/8	4.37	.31	128.5
36	46.00	42.75	32	1-5/8	4.67	.37	185.0



Flange drilled to ANSI B16.5, 150 lb. Please refer to Appendix B for Flange Assembly Instructions. Bolt and gasket sets are available, please see Fig. #101.