



Industrial Fiberglass Specialties, Inc.

521 Kiser Street, Dayton, OH 45404-1641

Phone: (937) 222-9000 • Fax: (937) 222-9020

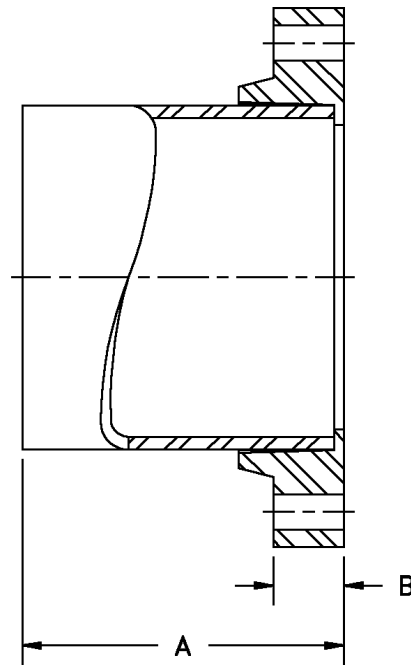
Email: sales@ifs-frp.com • Web: www.ifs-frp.com

Product Catalog

24 February 2004

FIG. #15-A - 150 lb. Stub Flange, Filament-Wound

Size	"A"	"B"	Wt.
1/2	6.0	.56	0.5
3/4	6.0	.56	0.6
1	6.0	.75	0.7
1-1/2	6.0	.81	0.9
2	6.0	.81	1.8
2-1/2	6.0	1.00	2.5
3	6.0	1.12	3.5
4	6.0	1.18	5.0
5	8.0	1.37	6.0
6	8.0	1.56	7.0
8	8.0	1.75	13.0
10	10.0	2.12	17.0
12	10.0	2.25	24.0
14	12.0	2.37	44.0
16	12.0	2.75	54.0
18	12.0	3.00	64.0
20	12.0	4.00	90.0
24	12.0	4.25	142.0
30	15.0	3.25	150.0
36	15.0	3.62	195.0



Flange drilled to ANSI B16.5 150 lb. See Fig. #15 for number, position and size of bolt holes. Please refer to Appendix B for Flange Assembly Instructions. Bolt and gasket sets are available, please see Fig. #101. Weld kits are available for attachment to FRP tanks, piping and equipment. Please contact our factory.