



Industrial Fiberglass Specialties, Inc.

521 Kiser Street, Dayton, OH 45404-1641

Phone: (937) 222-9000 • Fax: (937) 222-9020

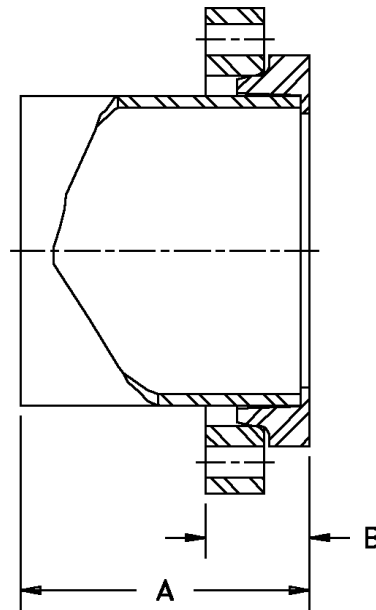
Email: sales@ifs-frp.com • Web: www.ifs-frp.com

Product Catalog

24 February 2004

FIG. #15-A-VS - 150 lb. Van Stone Stub Flange, Filament Wound

Size	"A"	"B"	Wt.
1	6.00	1.50	1.4
1-1/2	6.00	1.62	2.2
2	6.00	1.62	2.9
2-1/2	6.00	2.00	3.0
3	6.00	2.25	4.4
4	6.00	2.38	6.0
5	8.00	2.75	8.4
6	8.00	3.12	9.5
8	8.00	3.50	15.2
10	10.00	4.00	21.8
12	10.00	4.25	31.4
14	12.00	4.75	43.4
16	12.00	5.50	59.5
18	12.00	6.00	76.3
20	12.00	8.00	100.8
24	12.00	8.50	141.2
30		Special Order	
36		Special Order	



Flange drilled to ANSI B16.5, 150 lb. See Fig. #15-VS for number, position and size of bolt holes. Please refer to Appendix B for Flange Assembly Instructions. Weld kits are available for attachment to FRP tanks, piping and equipment. Please contact our factory.

NO RETURNS ALLOWED