

**Industrial Fiberglass Specialties, Inc.**

521 Kiser Street, Dayton, OH 45404-1641

Phone: (937) 222-9000 • Fax: (937) 222-9020

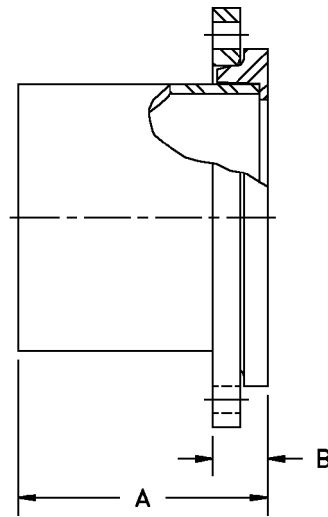
Email: sales@ifs-frp.com • Web: www.ifs-frp.com

**Product Catalog**

**24 February 2004**

**FIG. #15-A-VS-25 - 25 psi Van Stone Stub Flange, Filament Wound**

Size	"A"	"B"	Wt.
6	8.00	1.31	9.0
8	8.00	1.75	12.0
10	10.00	2.00	18.0
12	10.00	2.00	29.5
14	12.00	2.00	39.0
16	12.00	2.00	47.0
18	12.00	2.25	61.0
20	12.00	2.50	83.0
24	12.00	3.00	96.0
30	Special Order		
36	Special Order		



Flanges rated for 25 psi are designed to be bolted to flat face flanges only. Van-Stone flanges allow orientation of bolt-holes on any centerline due to loose flange ring. 25 psi flanges are designed for low pressure applications such as tank outlets, manways and duct flanges. Weld kits are available for attachment to FRP tanks, piping and equipment. Please contact our factory.

NO RETURNS ALLOWED