

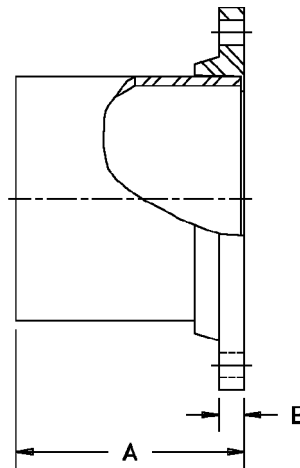


Industrial Fiberglass Specialties, Inc.
521 Kiser Street, Dayton, OH 45404-1641
Phone: (937) 222-9000 • Fax: (937) 222-9020
Email: sales@ifs-frp.com • Web: www.ifs-frp.com

Product Catalog
24 February 2004

FIG. #15-A-25 - 25 psi Stub Flange, Filament Wound

Size	"A"	"B"	Wt.
6	8.00	.56	7.0
8	8.00	.87	10.0
10	10.00	1.00	13.0
12	10.00	1.00	19.0
14	12.00	1.00	25.0
16	12.00	1.00	30.0
18	12.00	1.13	39.0
20	12.00	1.25	48.0
24	12.00	1.50	64.0
30	15.00	1.50	80.0
36	15.00	1.75	110.0



Flanges rated for 25 psi are designed to be bolted to flat face flanges only. 36" flange incorporates o-ring gasket. 25 psi flanges are designed for low pressure applications such as tank outlets, manways and duct flanges. Weld kits are available for attachment to FRP tanks, piping and equipment. Please contact our factory.

NO RETURNS ALLOWED