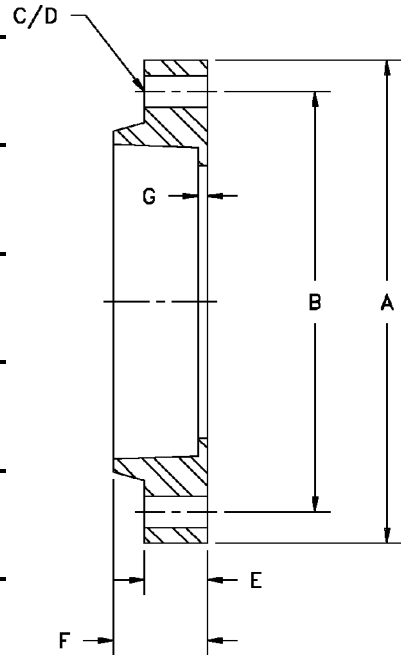


FIG. #15 - 150 lb. Socket Flange, Filament Wound

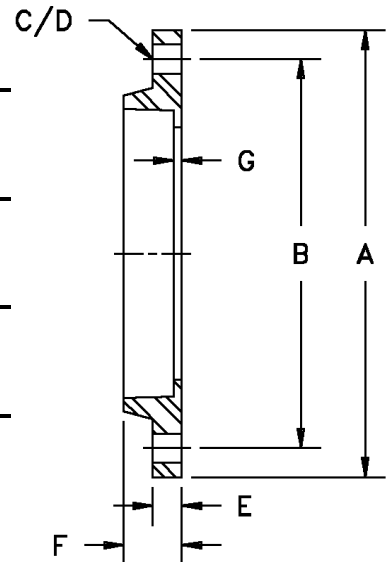
Size	"A" Fig. O.D.	"B" Bolt Circle	"C" Number Holes	"D" Dia. Holes	"E"	"F"	"G"	Wt.
1/2	3.50	2.37	4	5/8	.56	1.00	.12	.3
3/4	3.87	2.75	4	5/8	.56	1.00	.12	.4
1	4.25	3.12	4	5/8	.75	1.18	.12	.5
1-1/2	5.00	3.87	4	5/8	.81	1.37	.12	.6
2	6.00	4.75	4	3/4	.97	1.98	.12	1.5
2-1/2	7.00	5.50	4	3/4	1.15	1.98	.12	2.3
3	7.50	6.00	4	3/4	1.15	1.98	.12	3.0
4	9.00	7.50	8	3/4	1.25	2.00	.12	4.0
5	10.00	8.50	8	7/8	1.37	2.00	.12	5.5
6	11.00	9.50	8	7/8	1.56	2.37	.12	6.0
8	13.50	11.75	8	7/8	1.75	2.62	.12	10.0
10	16.00	14.25	12	1	2.12	3.00	.25	14.0
12	19.00	17.00	12	1	2.25	3.25	.25	21.0
14	21.00	18.75	12	1-1/8	2.37	3.25	.25	29.0
16	23.50	21.25	16	1-1/8	2.75	3.75	.25	40.0
18	25.00	22.75	16	1-1/4	3.00	4.00	.25	45.0
20	27.50	25.00	20	1-1/4	4.00	5.00	.25	70.0
24	32.00	29.50	20	1-3/8	4.25	5.00	.25	100.0
30	38.75	36.00	28	1-3/8	3.25	4.37	.31	105.0
36	46.00	42.75	32	1-5/8	3.62	4.62	.37	160.0



Flange drilled to ANSI B16.5 150 lb. Use SAE washers with Fig. #15 flanges and all flanged fittings in this catalog. Please refer to Appendix B for Flange Assembly Instructions. Bolt and gasket sets are available, please see Fig. #101.

FIG. #15-25 - 25 psi Socket Flange, Filament Wound

Size	"A" Fig. O.D.	"B" Bolt Circle	"C" Number Holes	"D" Dia. Holes	"E"	"F"	"G"	Wt.
6	11.00	9.50	8	5/8	.88	1.75	.12	4.0
8	13.50	11.75	8	5/8	.88	1.75	.12	6.0
10	16.00	14.25	12	5/8	1.00	1.88	.12	8.0
12	19.00	17.00	12	5/8	1.00	2.00	.12	12.0
14	21.00	18.75	12	5/8	0.88	1.88	.25	15.0
16	23.50	21.25	16	5/8	1.00	2.00	.25	19.0
18	25.00	22.75	16	5/8	1.13	2.13	.25	25.0
20	27.50	25.00	20	3/4	1.25	2.25	.25	32.0
24	32.00	29.50	20	3/4	1.50	2.50	.25	44.0
30	38.75	36.00	28	3/4	1.50	2.50	.31	55.0
36	46.00	42.75	32	3/4	1.75	2.75	.37	80.0



Flanges rated for 25 psi are designed to be bolted to flat face flanges only. 36" flange incorporates O-ring gasket. 25 psi flanges are designed for low pressure applications such as tank outlets, manways and duct flanges. Flange drilled to ANSI B16.5, 25 lb.