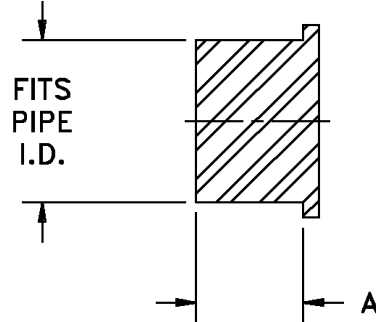




PLUGS

FIG. #12 - Pipe Plug

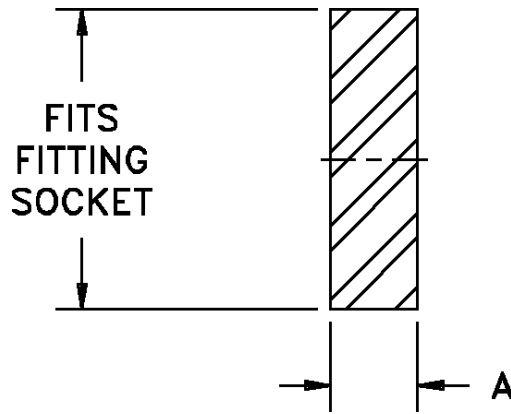
Size	"A"
1/2	.88
3/4	1.00
1	1.06
1-1/2	1.25
2	1.50
2-1/2	1.62
3	1.62
4	1.75



Plug fits pipe I.D. State pipe I.D. or manufacturer. Refer to Fig. #11 for sizes larger than 4".

FIG. #13 - Fitting Plug

Size	"A"
1/2	.87
3/4	1.00
1	1.06
1-1/2	1.25
2	1.81
2-1/2	1.81
3	1.81
4	1.81
6	2.25
8	2.50
10	2.75
12	3.00



Plug fits fitting socket. Larger sizes available on request. Fitting plugs to size 6" are rated for 150 psi working pressure. Sizes 8" through 12" are reduced to a rated working pressure of 75 psi.