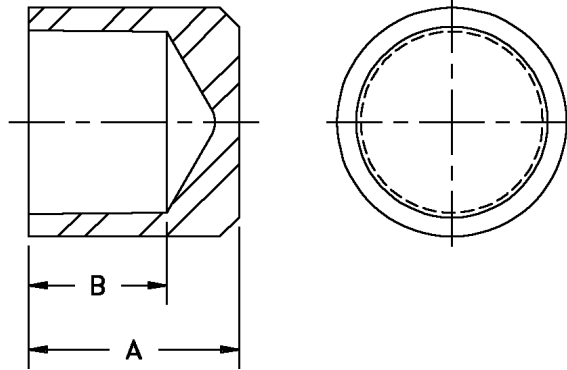




CAPS

FIG. #11 - Pipe Cap, Bell End

Size	"A"	"B"
1	2.00	1.06
1-1/2	2.25	1.25
2	2.75	1.81
2-1/2	3.00	1.81
3	3.00	1.81
4	3.00	1.81
6	4.00	2.25
8	4.50	2.50
10	5.00	2.75
12	5.50	3.00



For pipe caps larger than 12", refer to Fig. #99, End Domes

FIG. #11-T - Threaded Pipe Cap, Female NPT

Size	"A"	Wt.
1	2.50	.6
1-1/2	2.62	.8
2	2.75	1.0
2-1/2	3.50	1.3
3	4.00	1.5
4	4.00	2.5
6	5.00	4.0

