



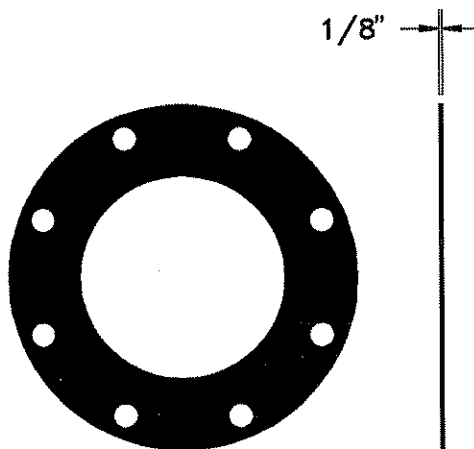
Industrial Fiberglass Specialties, Inc.
521 Kiser Street, Dayton, OH 45404-1641
Phone: (937) 222-9000 • Fax: (937) 222-9020
Email: sales@ifs-frp.com • Web: www.ifs-frp.com

Product Catalog
24 February 2004

FIG. #100

Gasket, Flange, Full Face 150 lb.

Size
1/2
3/4
1
1-1/2
2
2-1/2
3
4
6
8
10
12
14
16



Full face flange gaskets are 1/8" thick neoprene with a Shore A durometer of 60. Flange gaskets are manufactured to conform to ANSI B16.5, 150 lb. flange drilling.