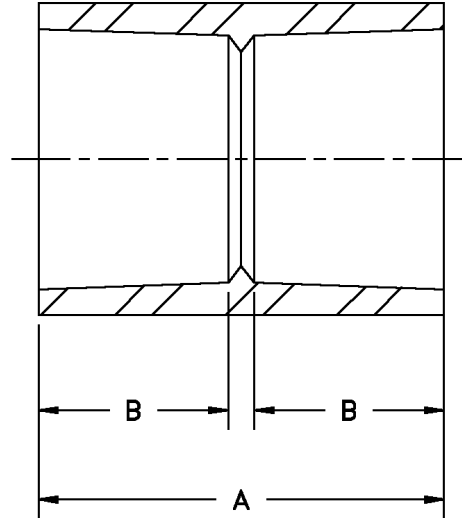




COUPLINGS

FIG. #1 -- Pipe Coupling, Bell End

Size	"A"	"B"	Pipe O.D.	Wt.
1/2	2.00	.87	.84	.2
3/4	2.25	1.00	1.05	.2
1	2.37	1.06	1.31	.3
1-1/2	2.75	1.37	1.90	.4
2	3.87	1.81	2.37	.6
2-1/2	3.87	1.81	2.88	.8
3	3.87	1.81	3.50	1.2
4	3.87	1.81	4.50	1.6
6	4.75	2.25	6.62	2.6
8	5.25	2.50	8.62	3.8
10	5.75	2.75	10.75	4.4
12	6.25	3.00	12.75	5.0
14	6.25	3.00	14.56	8.0
16	7.25	3.50	16.56	10.0
18	7.75	3.75	18.56	14.0
20	9.75	4.75	20.62	19.0
24	9.75	4.75	24.57	25.0



Standard couplings are designed to fit pipe with O.D.'s as shown. Bell end couplings to fit pipe with other O.D.'s are available. **Please state pipe O.D.'s when ordering special couplings.**