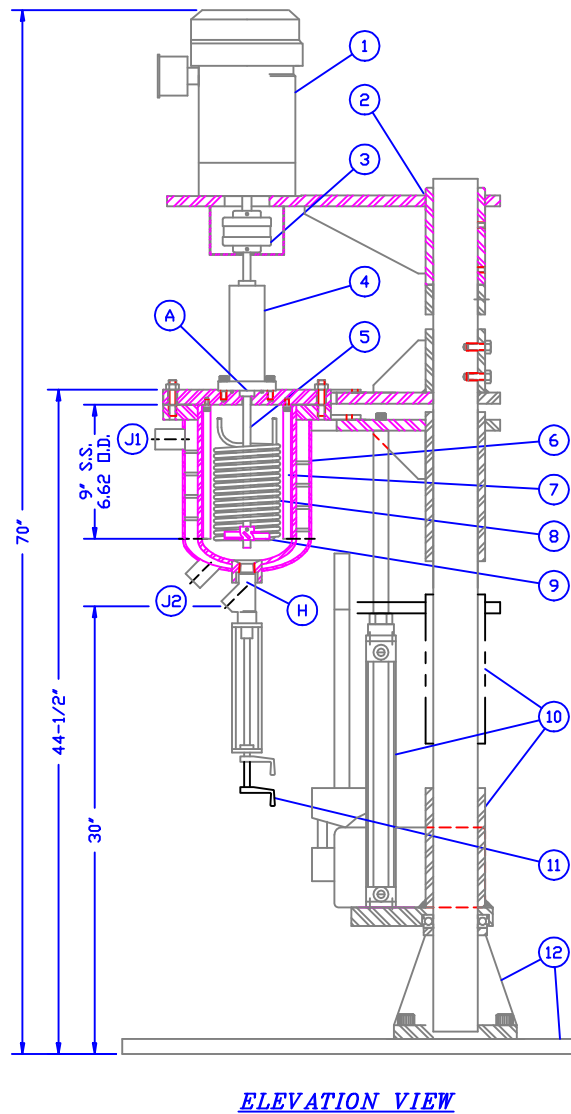
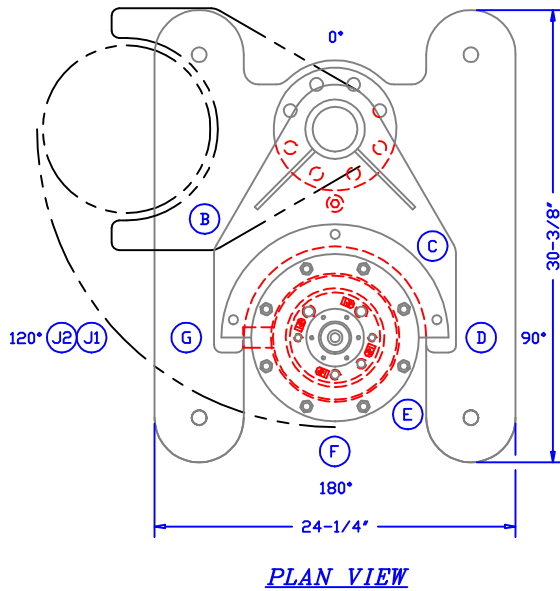


VESSEL DESIGNED TO SWING CLEAR OF IMPELLER WHEN LOWERED.



ALL DIMENSIONS ARE SUBJECT TO CHANGE DUE TO ACTUAL DESIGN CONDITIONS.

NOZZLE SCHEDULE IS FOR REPRESENTATIVE PURPOSES ONLY. NOZZLES TO BE SPECIFIED BY CUSTOMER.

BILL OF MATERIAL			
ITEM	QTY	DESCRIPTION	MATERIAL
1	1	MOTOR	STD.
2	1	DRIVE SUPPORT	C'STL.
3	1	SHAFT COUPLING	STD.
4	1	SEAL/BEARING HOUSING	316SS/C'STL.
5	1	AGITATOR SHAFT	316SS/C'STL.
6	1	JACKETED VESSEL	NOTED
7	4	REMOVABLE BAFFLES	316SS/C'STL.
8	1	COOLING COIL	316SS/C'STL.
9	1	P-4 IMPELLER	316SS/C'STL.
10	1	RAISING & LOWERING	C'STL.
11	1	RAM VALVE	316SS/C'STL.
12	1	SUPPOT STRUCTURE	C'STL.

NOZZLE SCHEDULE			
MARK	SIZE	TYPE	PURPOSE
A	.625	-	AGITATOR NOZZLE
B	1/2'	NPTF	CHARGE PORT
C	1/2'	NPTF	RUPTURE DISK
D	1/4'	NPTF	COIL PORT
E	3/8'	NPTF	THERMOWELL PORT
F	3/8'	NPTF	SPARE PORT
G	1/4'	NPTF	COIL PORT
H	3/4'	NPTF	VESSEL OUTLET
J1	3/4'	3000# CPLG.	JACKET SERVICE
J2	3/4'	3000# CPLG.	JACKET SERVICE

**DESIGN DATA**

VESSEL DESIGNED, BUILT, AND 'U' STAMPED IN ACCORDANCE WITH ASME SECTION VIII, DIVISION 1, LATEST ADDENDA.

1. VESSEL DESIGN CONDITIONS - 150 / 300 / 600 / 1000 PSIG AT 500°F
2. JACKET DESIGN CONDITIONS - 75 / 100 / 150 PSIG AT 500°F
3. MATERIALS OF CONSTRUCTION - 316L S.S. / C'STL. VESSEL  
316L S.S. / C'STL. JACKET

4. INTERNAL FINISH - 80 GRIT <STD.> / #3 POLISH / #4 POLISH
5. CORROSION ALLOWANCE - 0" ON VESSEL AND JACKET
6. EXTERNAL FINISH - SAND BLAST / PAINT

**International Reactor Corporation**

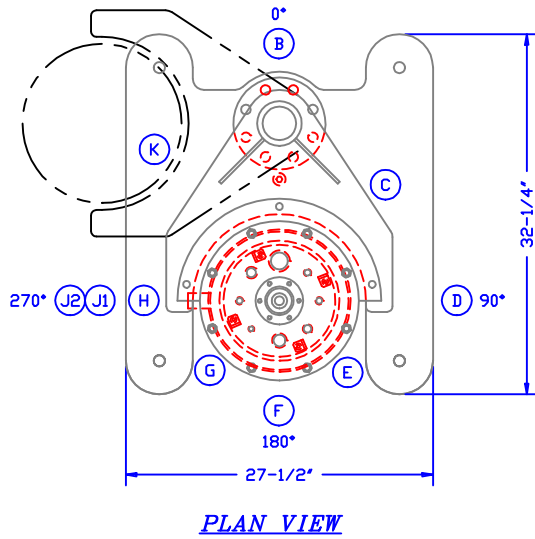
521 KISER STREET      PHONE# (937) 224-4444  
DAYTON, OHIO 45404-1641      FAX# (937) 224-4434

**TITLE :** 1 GALLON JACKETED REACTOR ASSEMBLY  
**FOR :** TURBINE IMPELLER WITH NO REDUCER

<b>DR.</b> DJB	<b>CK.</b>	<b>SCALE</b> NONE	<b>DISK/FILE</b> SD/SD001	<b>QTY.</b>
<b>DATE</b> 1/13/95	<b>JOB #</b>	<b>DWG. NO.</b> SD-001	<b>REV.</b> 0A	

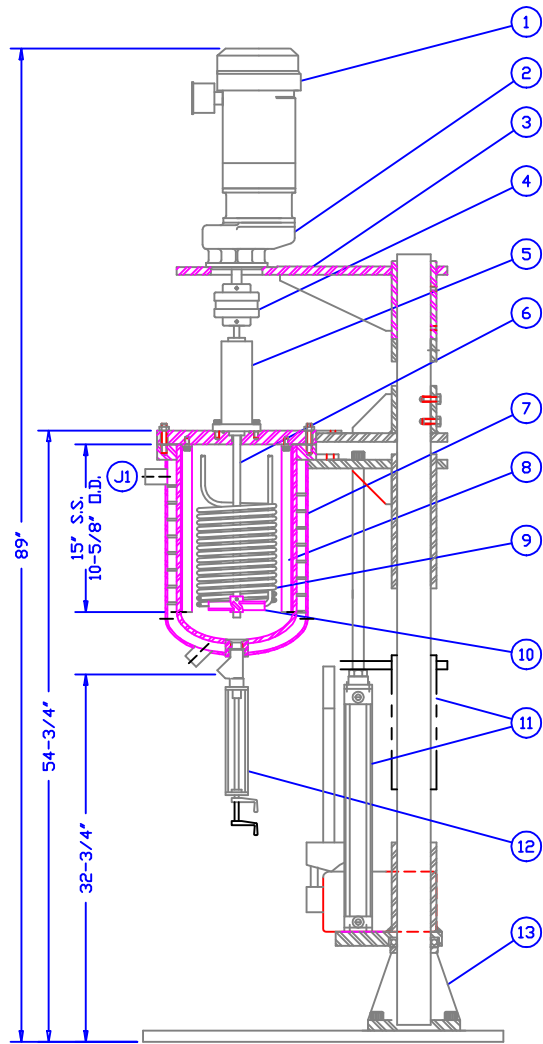


VESSEL DESIGNED TO SWING CLEAR OF IMPELLER WHEN LOWERED.



ALL DIMENSIONS ARE SUBJECT TO CHANGE DUE TO ACTUAL DESIGN CONDITIONS.

NOZZLE SCHEDULE IS FOR REPRESENTATIVE PURPOSES ONLY.  
NOZZLES TO BE SPECIFIED BY CUSTOMER.



BILL OF MATERIAL			
ITEM	QTY	DESCRIPTION	MATERIAL
1	1	MOTOR	STD.
2	1	GEAR REDUCER	STD.
3	1	DRIVE SUPPORT	C'STL.
4	1	SHAFT COUPLING	STD.
5	1	SEAL/BEARING HOUSING	316SS/C'STL.
6	1	AGITATOR SHAFT	316SS/C'STL.
7	1	JACKETED VESSEL	NOTED
8	4	REMOVABLE BAFFLES	316SS/C'STL.
9	1	COOLING COIL	316SS/C'STL.
10	1	P-4 IMPELLER	316SS/C'STL.
11	1	RAISING & LOWERING	C'STL.
12	1	RAM VALVE	316SS/C'STL.
13	1	SUPPORT STRUCTURE	C'STL.

NOZZLE SCHEDULE			
MARK	SIZE	TYPE	PURPOSE
A	.812	-	AGITATOR NOZZLE
B	1-1/2"	NPTF	CHARGE PORT
C	3/8"	NPTF	PRESSURE GAUGE
D	3/8"	NPTF	COIL PORT
E	1/2"	NPTF	SPARE PORT
F	1"	NPTF	RUPTURE DISK
G	1/4"	NPTF	THERMOWELL PORT
H	3/8"	NPTF	COIL PORT
J1	3/4"	3000# CPLG.	JACKET SERVICE
J2	3/4"	3000# CPLG.	JACKET SERVICE
K	3/4"	NPTF	RELIEF VALVE
L	1"	NPTF	VESSEL DRAIN

**DESIGN DATA**

VESSEL DESIGNED, BUILT, AND "U" STAMPED IN ACCORDANCE WITH ASME SECTION VIII, DIVISION 1, LATEST ADDENDA.

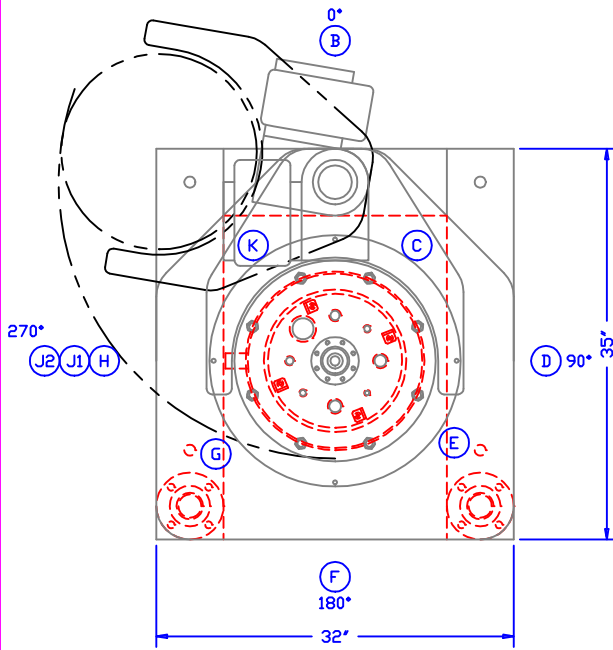
1. VESSEL DESIGN CONDITIONS - 150 / 300 / 600 / 1000 PSIG AT 500°F
2. JACKET DESIGN CONDITIONS - 75 / 100 / 150 PSIG AT 500°F
3. MATERIALS OF CONSTRUCTION - 316L S.S. / C'STL. VESSEL  
316L S.S. / C'STL. JACKET
4. INTERNAL FINISH - 80 GRIT (STD.) / #3 POLISH / #4 POLISH
5. CORROSION ALLOWANCE - 0" ON VESSEL AND JACKET
6. EXTERNAL FINISH - SAND BLAST / PAINT

**International Reactor Corporation**

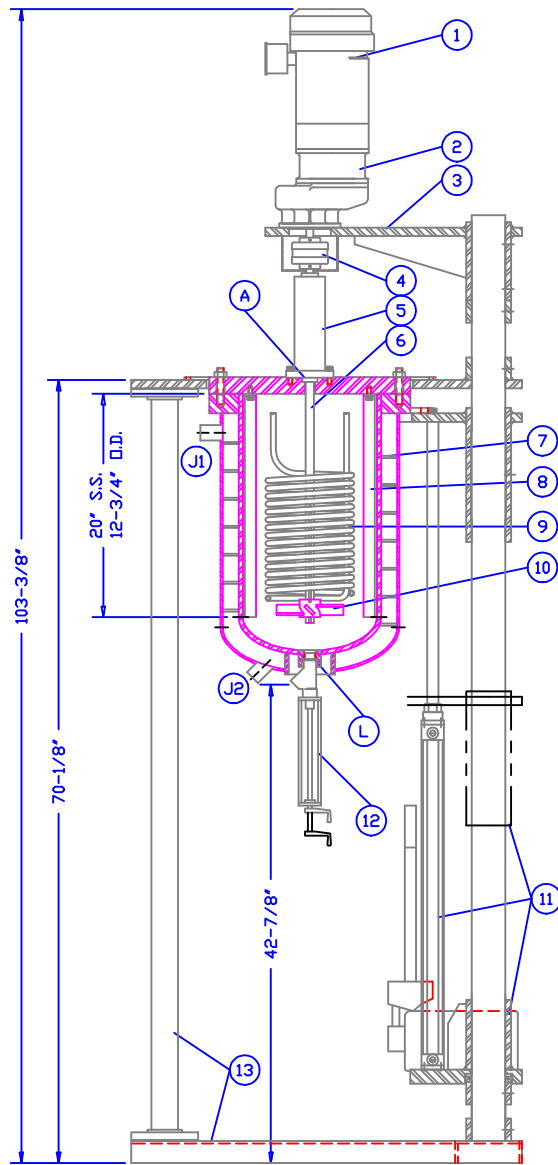
521 KISER STREET DAYTON, OHIO 45404-1641  
PHONE# (937) 224-4444 FAX# (937) 224-4434

<b>TITLE :</b> 5 GALLON JACKETED REACTOR ASSEMBLY			
<b>FOR :</b> TURBINE IMPELLER WITH REDUCER			
<b>DR.</b> DJB	<b>CK.</b>	<b>SCALE</b> NONE	<b>DISK/FILE</b> SD/SD003
<b>DATE</b> 1/14/95	<b>JOB #</b>	<b>DWG. NO.</b> SD-003	<b>QTY.</b>
			<b>REV.</b> 0A

VESSEL DESIGNED TO SWING CLEAR OF IMPELLER WHEN LOWERED.



**PLAN VIEW**



**ELEVATION VIEW**

ALL DIMENSIONS ARE SUBJECT TO CHANGE DUE TO ACTUAL DESIGN CONDITIONS.

NOZZLE SCHEDULE IS FOR REPRESENTATIVE PURPOSES ONLY. NOZZLES TO BE SPECIFIED BY CUSTOMER.

BILL OF MATERIAL			
ITEM	QTY	DESCRIPTION	MATERIAL
1	1	MOTOR	STD.
2	1	GEAR REDUCER	STD.
3	1	DRIVE SUPPORT	C'STL.
4	1	SHAFT COUPLING	STD.
5	1	SEAL/BEARING HOUSING	316SS/C'STL.
6	1	AGITATOR SHAFT	316SS/C'STL.
7	1	JACKETED VESSEL	NOTED
8	4	REMOVABLE BAFFLES	316SS/C'STL.
9	1	COOLING COIL	316SS/C'STL.
10	1	P-4 IMPELLER	316SS/C'STL.
11	1	RAISING & LOWERING	C'STL.
12	1	RAM VALVE	316SS/C'STL.
13	1	SUPPORT STRUCTURE	C'STL.

NOZZLE SCHEDULE			
MARK	SIZE	TYPE	PURPOSE
A	1.375	-	AGITATOR NOZZLE
B	3/4"	NPTF	SPARE PORT
C	3/8"	NPTF	COIL PORT
D	1"	NPTF	RELIEF VALVE
E	1/4"	NPTF	PRESSURE GAUGE
F	1"	NPTF	RUPTURE DISK
G	3/8"	NPTF	COIL PORT
H	1/2"	NPTF	THERMOWELL PORT
J1	3/4"	3000# CPLG.	JACKET SERVICE
J2	3/4"	3000# CPLG.	JACKET SERVICE
K	2-1/2"	NPTF	CHARGE PORT
L	1"	NPTF	VESSEL DRAIN

**DESIGN DATA**

VESSEL DESIGNED, BUILT, AND 'U' STAMPED IN ACCORDANCE WITH ASME SECTION VIII, DIVISION 1, LATEST ADDENDA.

1. VESSEL DESIGN CONDITIONS ~ 150 / 300 / 600 / 1000 PSIG AT 500°F
2. JACKET DESIGN CONDITIONS ~ 75 / 100 / 150 PSIG AT 500°F
3. MATERIALS OF CONSTRUCTION ~ 316L S.S. / C'STL. VESSEL  
316L S.S. / C'STL. JACKET
4. INTERNAL FINISH ~ 80 GRIT <STD.> / #3 POLISH / #4 POLISH
5. CORROSION ALLOWANCE ~ 0" ON VESSEL AND JACKET
6. EXTERNAL FINISH ~ SAND BLAST / PAINT

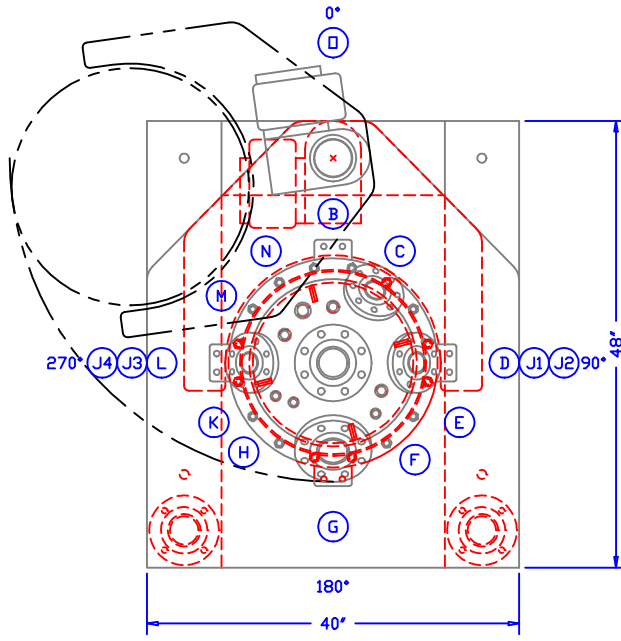
**International Reactor Corporation**

521 KISER STREET DAYTON, OHIO 45404-1641  
PHONE# (937) 224-4444 FAX# (937) 224-4434

TITLE : 10 GALLON JACKETED REACTOR ASSEMBLY  
FOR : TURBINE IMPELLER WITH REDUCER

DR. DJB CK.	SCALE NONE	DISK/FILE SD/SD004	QTY.
DATE 1/17/95	JOB #	DWG. NO. SD-004	REV. 0A

VESSEL DESIGNED TO SWING CLEAR OF IMPELLER WHEN LOWERED.



**PLAN VIEW**

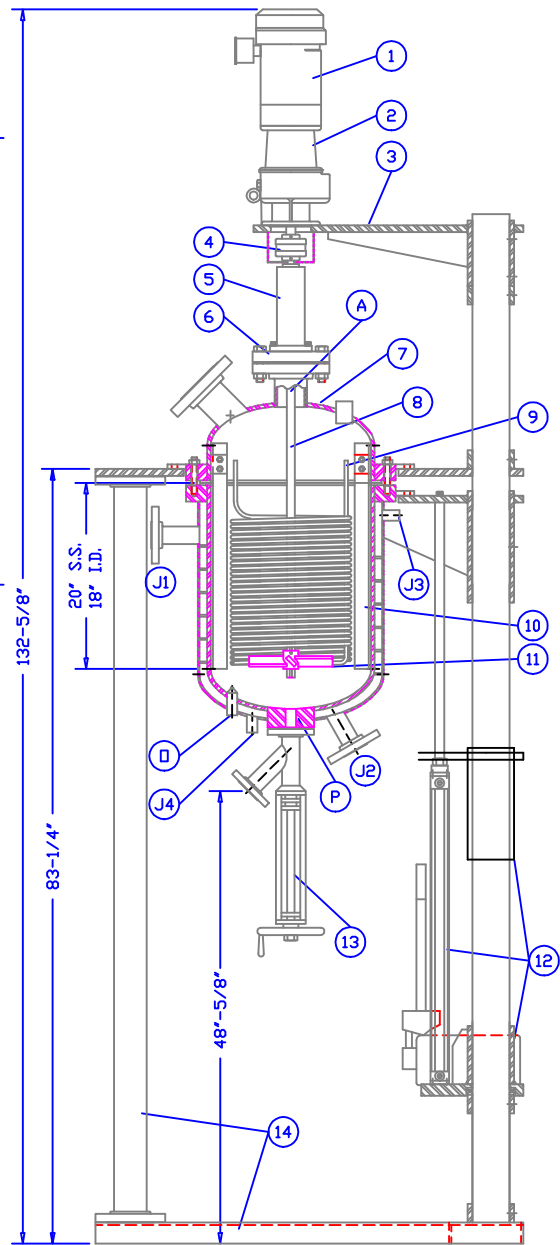
ALL DIMENSIONS ARE SUBJECT TO CHANGE DUE TO ACTUAL DESIGN CONDITIONS.  
NOZZLE SCHEDULE IS FOR REPRESENTATIVE PURPOSES ONLY.  
NOZZLES TO BE SPECIFIED BY CUSTOMER.

**BILL OF MATERIAL**

ITEM	QTY	DESCRIPTION	MATERIAL
1	1	MOTOR	STD.
2	1	GEAR REDUCER	STD.
3	1	DRIVE SUPPORT	C'STL.
4	1	SHAFT COUPLING	STD.
5	1	SEAL/BEARING HOUSING	316SS/C'STL.
6	1	MOUNTING FLANGE	316SS/C'STL.
7	1	JACKETED VESSEL	NOTED
8	1	AGITATOR SHAFT	316SS/C'STL.
9	1	COOLING COIL	316SS/C'STL.
10	4	REMOVABLE BAFFLES	316SS/C'STL.
11	1	P-4 IMPELLER	316SS/C'STL.
12	1	RAISING & LOWERING	C'STL.
13	1	RAM VALVE	316SS/C'STL.
14	1	SUPPORT STRUCTURE	C'STL.

**NOZZLE SCHEDULE**

MARK	SIZE	TYPE	PURPOSE
A	3"	RFSO	AGITATOR NOZZLE
B	1"	3000# CPLG.	RELIEF VALVE
C	2"	RFSO	RUPTURE DISK
D	2"	RFSO	LIGHT PORT
E	3/4"	3000# CPLG.	COIL PORT
F	1/2"	3000# CPLG.	SPARGE PORT
G	3"	RFSO	CHARGE PORT
H	1/2"	3000# CPLG.	REFLUX PORT
J1	2"	RFSO	JACKET SERVICE
J2	2"	RFSO	JACKET SERVICE
J3	1/2"	3000# CPLG.	JACKET VENT
J4	1/2"	3000# CPLG.	JACKET DRAIN
K	1/2"	3000# CPLG.	PRESSURE GAUGE
L	2"	RFSO	VAPOR PORT
M	3/4"	3000# CPLG.	COIL PORT
N	1/2"	3000# CPLG.	THERMOWELL PORT
O	1/2"	3000# CPLG.	THERMOWELL PORT
P	1-1/2"	300# PAD	VESSEL OUTLET



**ELEVATION VIEW**

**DESIGN DATA**

VESSEL DESIGNED, BUILT, AND 'U' STAMPED IN ACCORDANCE WITH ASME SECTION VIII, DIVISION 1, LATEST ADDENDA.

1. VESSEL DESIGN CONDITIONS - 150 / 300 / 600 / 1000 PSIG AT 500°F
2. JACKET DESIGN CONDITIONS - 75 / 100 / 150 PSIG AT 500°F
3. MATERIALS OF CONSTRUCTION - 316L S.S. / C'STL. VESSEL  
316L S.S. / C'STL. JACKET
4. INTERNAL FINISH - 80 GRIT <STD.> / #3 POLISH / #4 POLISH
5. CORROSION ALLOWANCE - 0" ON VESSEL AND JACKET
6. EXTERNAL FINISH - SAND BLAST / PAINT

**International Reactor Corporation**

521 KISER STREET  
DAYTON, OHIO 45404-1641

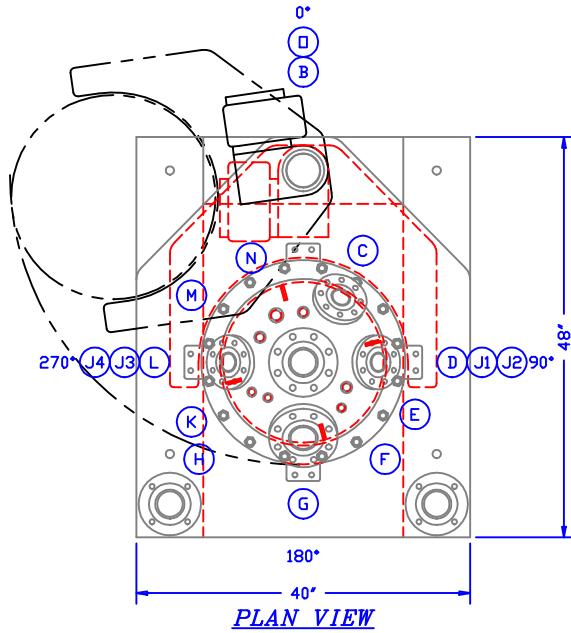
PHONE# (937) 224-4444  
FAX# (937) 224-4434

**TITLE :** 20 GALLON JACKETED REACTOR ASSEMBLY

**FOR :** TURBINE IMPELLER WITH REDUCER

DR. DJB	CK.	SCALE NONE	DISK/FILE SD/SD005	QTY.
DATE 2/15/95		JOB #	DWG. NO. SD-005	REV. 0A

VESSEL DESIGNED TO SWING CLEAR OF IMPELLER WHEN LOWERED.



**PLAN VIEW**

ALL DIMENSIONS ARE SUBJECT TO CHANGE DUE TO ACTUAL DESIGN CONDITIONS.

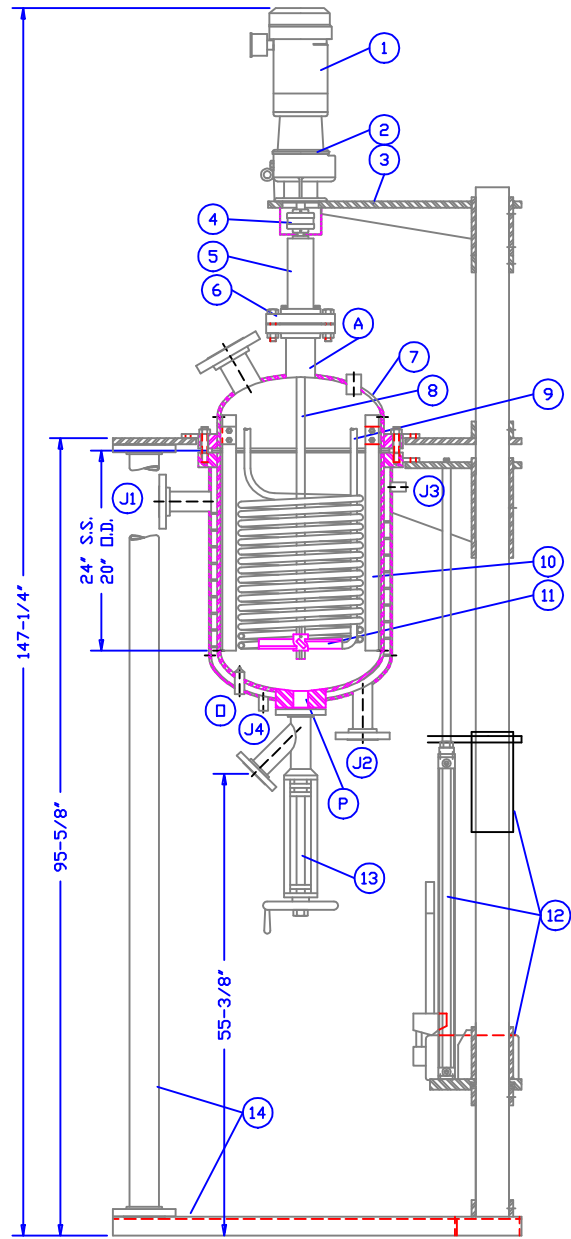
NOZZLE SCHEDULE IS FOR REPRESENTATIVE PURPOSES ONLY. NOZZLES TO BE SPECIFIED BY CUSTOMER.

**BILL OF MATERIAL**

ITEM	QTY	DESCRIPTION	MATERIAL
1	1	MOTOR	STD.
2	1	GEAR REDUCER	STD.
3	1	DRIVE SUPPORT	C'STL.
4	1	SHAFT COUPLING	STD.
5	1	SEAL/BEARING HOUSING	316SS/C'STL.
6	1	MOUNTING FLANGE	316SS/C'STL.
7	1	JACKETED VESSEL	NOTED
8	1	AGITATOR SHAFT	316SS/C'STL.
9	1	COOLING COIL	316SS/C'STL.
10	4	REMOVABLE BAFFLE	316SS/C'STL.
11	1	P-4 IMPELLER	316SS/C'STL.
12	1	RAISING & LOWERING	C'STL.
13	1	RAM VALVE	316SS/C'STL.
14	1	SUPPORT STRUCTURE	C'STL.

**NOZZLE SCHEDULE**

MARK	SIZE	TYPE	PURPOSE
A	3"	RFSO	AGITATOR NOZZLE
B	1"	3000# CPLG.	RELIEF VALVE
C	2"	RFSO	RUPTURE DISK
D	2"	RFSO	LIGHT PORT
E	3/4"	3000# CPLG.	COIL PORT
F	1/2"	3000# CPLG.	SPARGE PORT
G	3"	RFSO	CHARGE PORT
H	1/2"	3000# CPLG.	REFLUX PORT
J1	2"	RFSO	JACKET SERVICE
J2	2"	RFSO	JACKET SERVICE
J3	1/2"	3000# CPLG.	JACKET VENT
J4	1/2"	3000# CPLG.	JACKET DRAIN
K	1/2"	3000# CPLG.	PRESSURE GAUGE
L	2"	RFSO	VAPOR PORT
M	3/4"	3000# CPLG.	COIL PORT
N	1/2"	3000# CPLG.	THERMOWELL PORT
O	1/2"	3000# CPLG.	THERMOWELL PORT
P	2"	300# PAD	VESSEL OUTLET



**ELEVATION VIEW**

**DESIGN DATA**

VESSEL DESIGNED, BUILT, AND 'U' STAMPED IN ACCORDANCE WITH ASME SECTION VIII, DIVISION 1, LATEST ADDENDA.

1. VESSEL DESIGN CONDITIONS - 150 / 300 / 600 / 1000 PSIG AT 500°F
2. JACKET DESIGN CONDITIONS - 75 / 100 / 150 PSIG AT 500°F
3. MATERIALS OF CONSTRUCTION - 316L S.S. / C'STL. VESSEL  
316L S.S. / C'STL. JACKET
4. INTERNAL FINISH - 80 GRIT <STD.> / #3 POLISH / #4 POLISH
5. CORROSION ALLOWANCE - 0" ON VESSEL AND JACKET
6. EXTERNAL FINISH - SAND BLAST / PAINT

**International Reactor Corporation**

521 KISER STREET  
DAYTON, OHIO 45404-1641

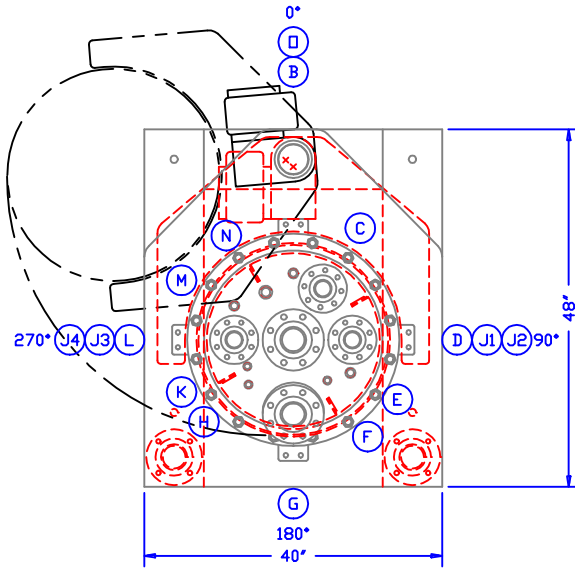
PHONE# (937) 224-4444  
FAX# (937) 224-4434

**TITLE :** 30 GALLON JACKETED REACTOR ASSEMBLY

**FOR :** TURBINE IMPELLER WITH REDUCER

DR. DJB	CK.	SCALE NONE	DISK/FILE SD/SD006	QTY.
DATE 2/15/95		JOB #	DWG. NO. SD-006	REV. 0A

VESSEL DESIGNED TO SWING CLEAR OF IMPELLER WHEN LOWERED.



**PLAN VIEW**

ALL DIMENSIONS ARE SUBJECT TO CHANGE DUE TO ACTUAL DESIGN CONDITIONS.

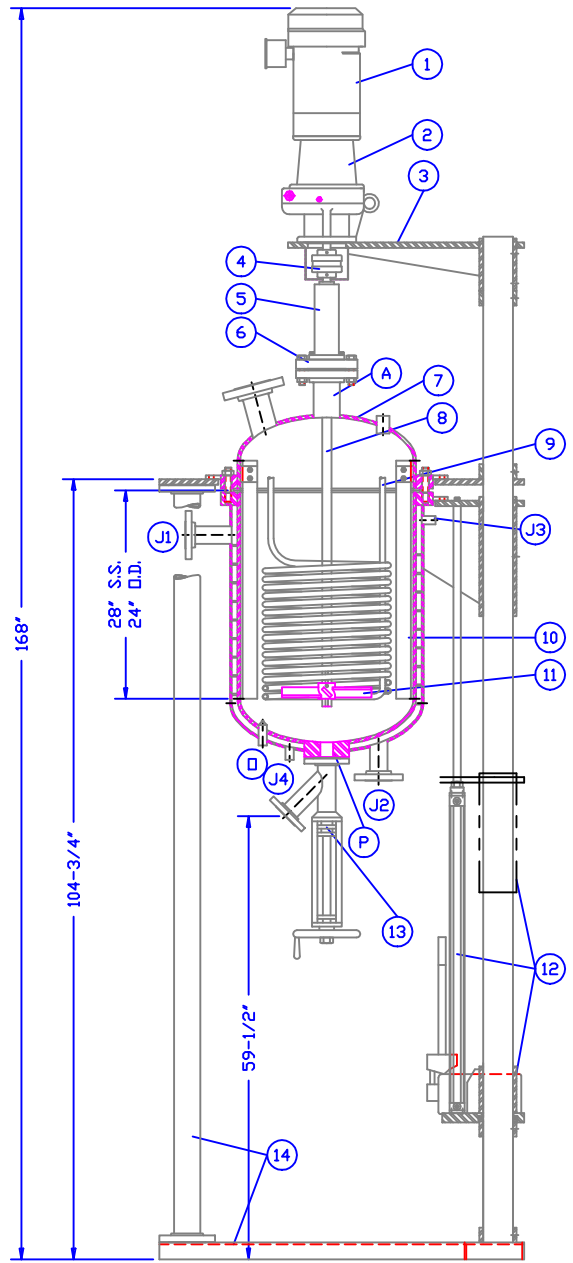
NOZZLE SCHEDULE IS FOR REPRESENTATIVE PURPOSES ONLY.  
NOZZLES TO BE SPECIFIED BY CUSTOMER.

**BILL OF MATERIAL**

ITEM	QTY	DESCRIPTION	MATERIAL
1	1	MOTOR	STD.
2	1	GEAR REDUCER	STD.
3	1	DRIVE SUPPORT	C'STL.
4	1	SHAFT COUPLING	STD.
5	1	SEAL/BEARING HOUSING	316SS/C'STL.
6	1	MOUNTING FLANGE	316SS/C'STL.
7	1	JACKETED VESSEL	NOTED
8	1	AGITATOR SHAFT	316SS/C'STL.
9	1	COOLING COIL	316SS/C'STL.
10	4	REMOVABLE BAFFLE	316SS/C'STL.
11	1	P-4 IMPELLER	316SS/C'STL.
12	1	RAISING & LOWERING	C'STL.
13	1	RAM VALVE	316SS/C'STL.
14	1	SUPPRT STRUCTURE	C'STL.

**NOZZLE SCHEDULE**

MARK	SIZE	TYPE	PURPOSE
A	3"	RFSO	AGITATOR NOZZLE
B	1"	3000# CPLG.	RELIEF VALVE
C	2"	RFSO	RUPTURE DISK
D	2"	RFSO	LIGHT PORT
E	3/4"	3000# CPLG.	COIL PORT
F	1/2"	3000# CPLG.	SPARGE PORT
G	3"	RFSO	CHARGE PORT
H	1/2"	3000# CPLG.	REFLUX PORT
J1	2"	RFSO	JACKET SERVICE
J2	2"	RFSO	JACKET SERVICE
J3	1/2"	3000# CPLG.	JACKET VENT
J4	1/2"	3000# CPLG.	JACKET DRAIN
K	1/2"	3000# CPLG.	PRESSURE GAUGE
L	2"	RFSO	VAPOR PORT
M	3/4"	3000# CPLG.	COIL PORT
N	1/2"	3000# CPLG.	THERMOWELL PORT
Q	1/2"	3000# CPLG.	THERMOWELL PORT
P	2"	300# PAD	VESSEL OUTLET



**ELEVATION VIEW**

**DESIGN DATA**

VESSEL DESIGNED, BUILT, AND "U" STAMPED IN ACCORDANCE WITH ASME SECTION VIII, DIVISION 1, LATEST ADDENDA.

1. VESSEL DESIGN CONDITIONS - 150 / 300 / 600 / 1000 PSIG AT 500°F
2. JACKET DESIGN CONDITIONS - 75 / 100 / 150 PSIG AT 500°F
3. MATERIALS OF CONSTRUCTION - 316L S.S. / C'STL. VESSEL  
316L S.S. / C'STL. JACKET
4. INTERNAL FINISH - 80 GRIT <STD.> / #3 POLISH / #4 POLISH
5. CORROSION ALLOWANCE - 0" ON VESSEL AND JACKET
6. EXTERNAL FINISH - SAND BLAST / PAINT

**International Reactor Corporation**

521 KISER STREET  
DAYTON, OHIO 45404-1641

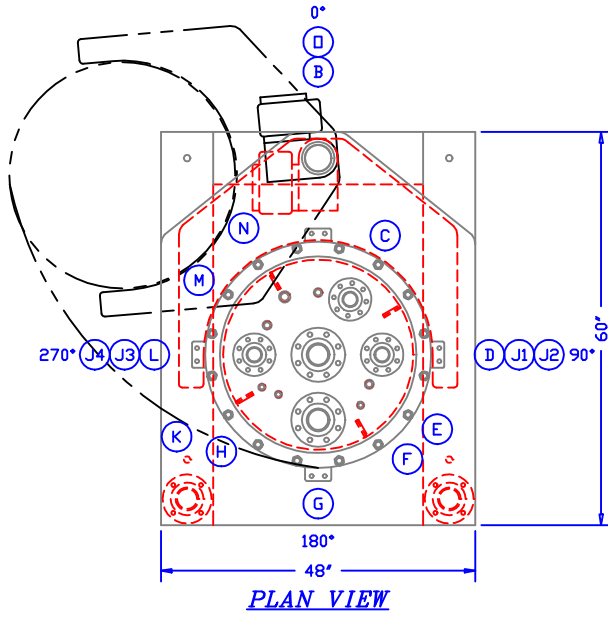
PHONE# (937) 224-4444  
FAX# (937) 224-4434

**TITLE :** 50 GALLON JACKETED REACTOR ASSEMBLY

**FOR :** TURBINE IMPELLER WITH REDUCER

DR. DJB	CK.	SCALE NONE	DISK/FILE SD/SD007	QTY.
DATE 2/15/95	JOB #	DWG. NO. SD-007	REV. 0A	

VESSEL DESIGNED TO SWING CLEAR OF IMPELLER WHEN LOWERED.



**PLAN VIEW**

ALL DIMENSIONS ARE SUBJECT TO CHANGE DUE TO ACTUAL DESIGN CONDITIONS.

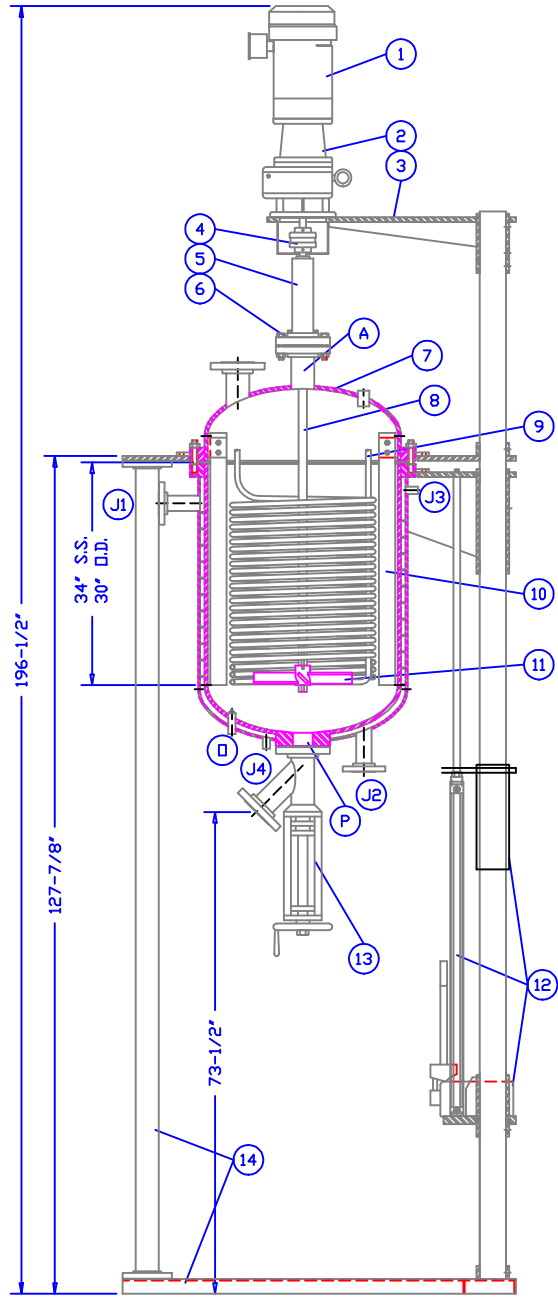
NOZZLE SCHEDULE IS FOR REPRESENTATIVE PURPOSES ONLY. NOZZLES TO BE SPECIFIED BY CUSTOMER.

**BILL OF MATERIAL**

ITEM	QTY	DESCRIPTION	MATERIAL
1	1	MOTOR	STD.
2	1	GEAR REDUCER	STD.
3	1	DRIVE SUPPORT	C'STL.
4	1	SHAFT COUPLING	STD.
5	1	SEAL/BEARING HOUSING	316SS/C'STL.
6	1	MOUNTING FLANGE	316SS/C'STL.
7	1	JACKETED VESSEL	NOTED
8	1	AGITATOR SHAFT	316SS/C'STL.
9	1	COOLING COIL	316SS/C'STL.
10	4	REMOVABLE BAFFLE	316SS/C'STL.
11	1	P-4 IMPELLER	316SS/C'STL.
12	1	RAISING & LOWERING	C'STL.
13	1	RAM VALVE	316SS/C'STL.
14	1	SUPPRT STRUCTURE	C'STL.

**NOZZLE SCHEDULE**

MARK	SIZE	TYPE	PURPOSE
A	3"	RFSO	AGITATOR NOZZLE
B	1"	3000# CPLG.	RELIEF VALVE
C	2"	RFSO	RUPTURE DISK
D	2"	RFSO	LIGHT PORT
E	3/4"	3000# CPLG.	COIL PORT
F	1/2"	3000# CPLG.	SPARGE PORT
G	3"	RFSO	CHARGE PORT
H	1/2"	3000# CPLG.	REFLUX PORT
J1	2"	RFSO	JACKET SERVICE
J2	2"	RFSO	JACKET SERVICE
J3	1/2"	3000# CPLG.	JACKET VENT
J4	1/2"	3000# CPLG.	JACKET DRAIN
K	1/2"	3000# CPLG.	PRESSURE GAUGE
L	2"	RFSO	VAPOR PORT
M	3/4"	3000# CPLG.	COIL PORT
N	1/2"	3000# CPLG.	THERMOWELL PORT
Q	1/2"	3000# CPLG.	THERMOWELL PORT
P	2"	300# PAD	VESSEL OUTLET



**ELEVATION VIEW**

**DESIGN DATA**

VESSEL DESIGNED, BUILT, AND 'U' STAMPED IN ACCORDANCE WITH ASME SECTION VIII, DIVISION 1, LATEST ADDENDA.

1. VESSEL DESIGN CONDITIONS - 150 / 300 / 600 / 1000 PSIG AT 500°F
2. JACKET DESIGN CONDITIONS - 75 / 100 / 150 PSIG AT 500°F
3. MATERIALS OF CONSTRUCTION - 316L S.S. / C'STL. VESSEL  
316L S.S. / C'STL. JACKET
4. INTERNAL FINISH - 80 GRIT <STD.> / #3 POLISH / #4 POLISH
5. CORROSION ALLOWANCE - 0" ON VESSEL AND JACKET
6. EXTERNAL FINISH - SAND BLAST / PAINT

**International Reactor Corporation**

521 KISER STREET  
DAYTON, OHIO 45404-1641

PHONE# (937) 224-4444  
FAX# (937) 224-4434

**TITLE :** 100 GALLON JACKETED REACTOR ASSEMBLY

**FOR :** TURBINE IMPELLER WITH REDUCER

DR. DJB	CK.	SCALE NONE	DISK/FILE SD/SD008	QTY.
DATE 2/15/95	JOB #	DWG. NO. SD-008	REV. 0A	