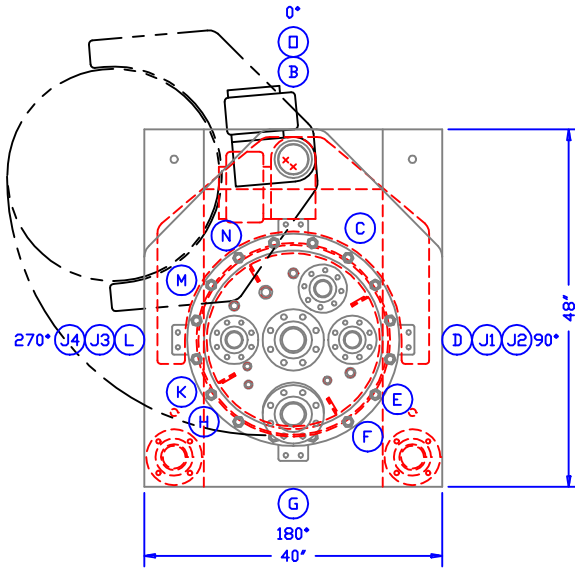


VESSEL DESIGNED TO SWING CLEAR OF IMPELLER WHEN LOWERED.



PLAN VIEW

ALL DIMENSIONS ARE SUBJECT TO CHANGE DUE TO ACTUAL DESIGN CONDITIONS.

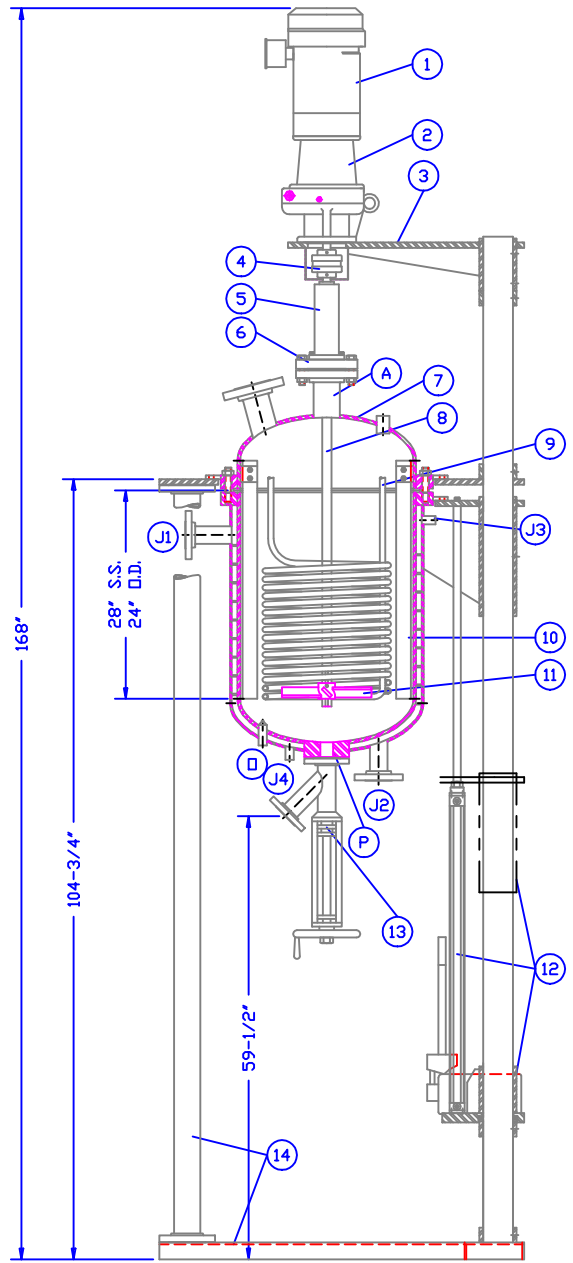
NOZZLE SCHEDULE IS FOR REPRESENTATIVE PURPOSES ONLY.
NOZZLES TO BE SPECIFIED BY CUSTOMER.

BILL OF MATERIAL

ITEM	QTY	DESCRIPTION	MATERIAL
1	1	MOTOR	STD.
2	1	GEAR REDUCER	STD.
3	1	DRIVE SUPPORT	C'STL.
4	1	SHAFT COUPLING	STD.
5	1	SEAL/BEARING HOUSING	316SS/C'STL.
6	1	MOUNTING FLANGE	316SS/C'STL.
7	1	JACKETED VESSEL	NOTED
8	1	AGITATOR SHAFT	316SS/C'STL.
9	1	COOLING COIL	316SS/C'STL.
10	4	REMOVABLE BAFFLE	316SS/C'STL.
11	1	P-4 IMPELLER	316SS/C'STL.
12	1	RAISING & LOWERING	C'STL.
13	1	RAM VALVE	316SS/C'STL.
14	1	SUPPRT STRUCTURE	C'STL.

NOZZLE SCHEDULE

MARK	SIZE	TYPE	PURPOSE
A	3"	RFSO	AGITATOR NOZZLE
B	1"	3000# CPLG.	RELIEF VALVE
C	2"	RFSO	RUPTURE DISK
D	2"	RFSO	LIGHT PORT
E	3/4"	3000# CPLG.	COIL PORT
F	1/2"	3000# CPLG.	SPARGE PORT
G	3"	RFSO	CHARGE PORT
H	1/2"	3000# CPLG.	REFLUX PORT
J1	2"	RFSO	JACKET SERVICE
J2	2"	RFSO	JACKET SERVICE
J3	1/2"	3000# CPLG.	JACKET VENT
J4	1/2"	3000# CPLG.	JACKET DRAIN
K	1/2"	3000# CPLG.	PRESSURE GAUGE
L	2"	RFSO	VAPOR PORT
M	3/4"	3000# CPLG.	COIL PORT
N	1/2"	3000# CPLG.	THERMOWELL PORT
O	1/2"	3000# CPLG.	THERMOWELL PORT
P	2"	300# PAD	VESSEL OUTLET



ELEVATION VIEW

DESIGN DATA

VESSEL DESIGNED, BUILT, AND "U" STAMPED IN ACCORDANCE WITH ASME SECTION VIII, DIVISION 1, LATEST ADDENDA.

1. VESSEL DESIGN CONDITIONS ~ 150 / 300 / 600 / 1000 PSIG AT 500°F
2. JACKET DESIGN CONDITIONS ~ 75 / 100 / 150 PSIG AT 500°F
3. MATERIALS OF CONSTRUCTION ~ 316L S.S. / C'STL. VESSEL
316L S.S. / C'STL. JACKET
4. INTERNAL FINISH ~ 80 GRIT <STD.> / #3 POLISH / #4 POLISH
5. CORROSION ALLOWANCE ~ 0" ON VESSEL AND JACKET
6. EXTERNAL FINISH ~ SAND BLAST / PAINT

International Reactor Corporation

521 KISER STREET
DAYTON, OHIO 45404-1641

PHONE# (937) 224-4444
FAX# (937) 224-4434

TITLE : 50 GALLON JACKETED REACTOR ASSEMBLY

FOR : TURBINE IMPELLER WITH REDUCER

DR. DJB	CK.	SCALE NONE	DISK/FILE SD/SD007	QTY.
DATE 2/15/95	JOB #	DWG. NO. SD-007	REV. 0A	