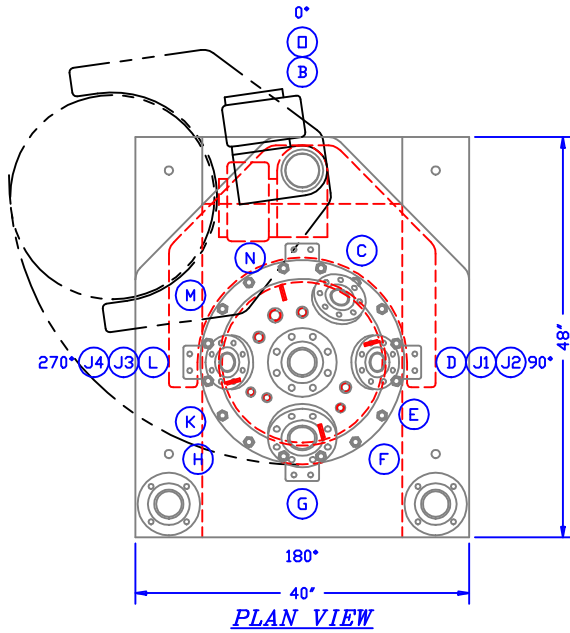


VESSEL DESIGNED TO SWING CLEAR OF IMPELLER WHEN LOWERED.



**PLAN VIEW**

ALL DIMENSIONS ARE SUBJECT TO CHANGE DUE TO ACTUAL DESIGN CONDITIONS.

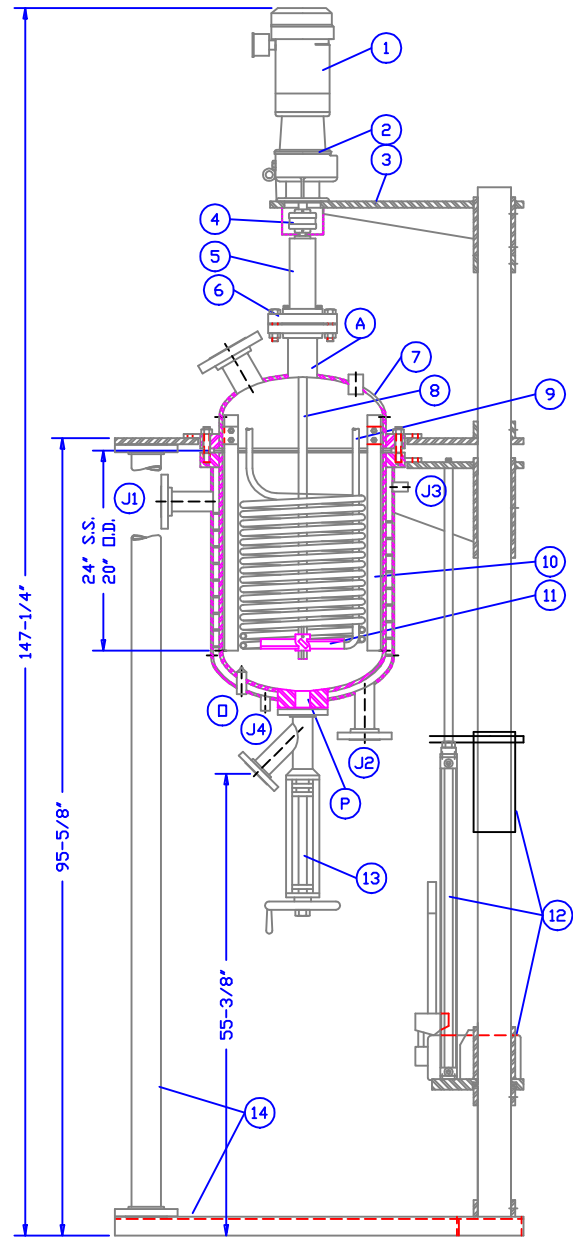
NOZZLE SCHEDULE IS FOR REPRESENTATIVE PURPOSES ONLY. NOZZLES TO BE SPECIFIED BY CUSTOMER.

**BILL OF MATERIAL**

ITEM	QTY	DESCRIPTION	MATERIAL
1	1	MOTOR	STD.
2	1	GEAR REDUCER	STD.
3	1	DRIVE SUPPORT	C'STL.
4	1	SHAFT COUPLING	STD.
5	1	SEAL/BEARING HOUSING	316SS/C'STL.
6	1	MOUNTING FLANGE	316SS/C'STL.
7	1	JACKETED VESSEL	NOTED
8	1	AGITATOR SHAFT	316SS/C'STL.
9	1	COOLING COIL	316SS/C'STL.
10	4	REMOVABLE BAFFLE	316SS/C'STL.
11	1	P-4 IMPELLER	316SS/C'STL.
12	1	RAISING & LOWERING	C'STL.
13	1	RAM VALVE	316SS/C'STL.
14	1	SUPPORT STRUCTURE	C'STL.

**NOZZLE SCHEDULE**

MARK	SIZE	TYPE	PURPOSE
A	3"	RFSO	AGITATOR NOZZLE
B	1"	3000# CPLG.	RELIEF VALVE
C	2"	RFSO	RUPTURE DISK
D	2"	RFSO	LIGHT PORT
E	3/4"	3000# CPLG.	COIL PORT
F	1/2"	3000# CPLG.	SPARGE PORT
G	3"	RFSO	CHARGE PORT
H	1/2"	3000# CPLG.	REFLUX PORT
J1	2"	RFSO	JACKET SERVICE
J2	2"	RFSO	JACKET SERVICE
J3	1/2"	3000# CPLG.	JACKET VENT
J4	1/2"	3000# CPLG.	JACKET DRAIN
K	1/2"	3000# CPLG.	PRESSURE GAUGE
L	2"	RFSO	VAPOR PORT
M	3/4"	3000# CPLG.	COIL PORT
N	1/2"	3000# CPLG.	THERMOWELL PORT
O	1/2"	3000# CPLG.	THERMOWELL PORT
P	2"	300# PAD	VESSEL OUTLET



**ELEVATION VIEW**

**DESIGN DATA**

VESSEL DESIGNED, BUILT, AND 'U' STAMPED IN ACCORDANCE WITH ASME SECTION VIII, DIVISION 1, LATEST ADDENDA.

1. VESSEL DESIGN CONDITIONS - 150 / 300 / 600 / 1000 PSIG AT 500°F
2. JACKET DESIGN CONDITIONS - 75 / 100 / 150 PSIG AT 500°F
3. MATERIALS OF CONSTRUCTION - 316L S.S. / C'STL. VESSEL  
316L S.S. / C'STL. JACKET
4. INTERNAL FINISH - 80 GRIT <STD.> / #3 POLISH / #4 POLISH
5. CORROSION ALLOWANCE - 0" ON VESSEL AND JACKET
6. EXTERNAL FINISH - SAND BLAST / PAINT

**International Reactor Corporation**

521 KISER STREET  
DAYTON, OHIO 45404-1641

PHONE# (937) 224-4444  
FAX# (937) 224-4434

**TITLE :** 30 GALLON JACKETED REACTOR ASSEMBLY

**FOR :** TURBINE IMPELLER WITH REDUCER

DR. DJB	CK.	SCALE NONE	DISK/FILE SD/SD006	QTY.
DATE 2/15/95	JOB #	DWG. NO. SD-006	REV. 0A	