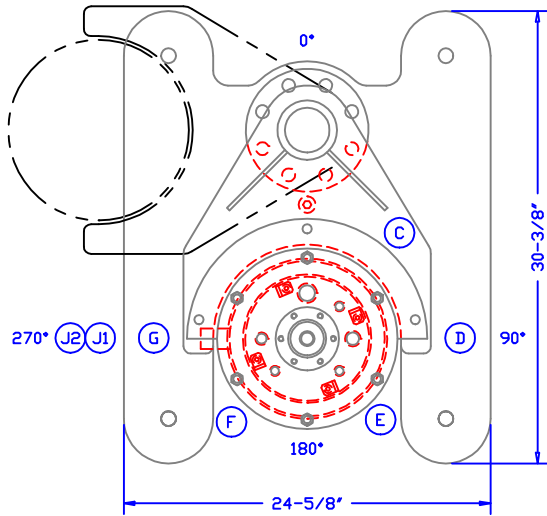
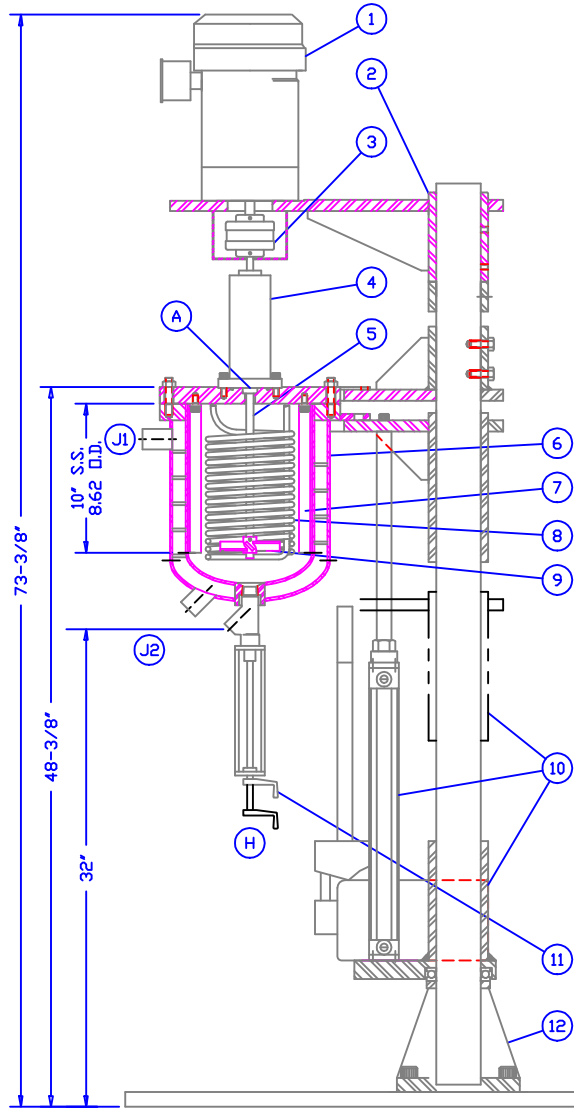


VESSEL DESIGNED TO SWING CLEAR
OF IMPELLER WHEN LOWERED



PLAN VIEW



ELEVATION VIEW

ALL DIMENSIONS ARE SUBJECT TO CHANGE
DUE TO ACTUAL DESIGN CONDITIONS.

NOZZLE SCHEDULE IS FOR REPRESENTATIVE
PURPOSES ONLY.
NOZZLES TO BE SPECIFIED BY CUSTOMER.

B I L L O F M A T E R I A L

| ITEM | QTY | DESCRIPTION | MATERIAL |
|------|-----|----------------------|--------------|
| 1 | 1 | MOTOR | STD. |
| 2 | 1 | DRIVE SUPPORT | C'STL. |
| 3 | 1 | SHAFT COUPLING | STD. |
| 4 | 1 | SEAL/BEARING HOUSING | 316SS/C'STL. |
| 5 | 1 | AGITATOR SHAFT | 316SS/C'STL. |
| 6 | 1 | JACKETED VESSEL | NOTED |
| 7 | 4 | REMOVABLE BAFFLES | 316SS/C'STL. |
| 8 | 1 | COOLING COIL | 316SS/C'STL. |
| 9 | 1 | P-4 IMPELLER | 316SS/C'STL. |
| 10 | 1 | RAISING & LOWERING | C'STL. |
| 11 | 1 | RAM VAVLE | 316SS/C'STL. |
| 12 | 1 | SUPPOT STRUCTURE | C'STL. |

D E S I G N D A T A

| | |
|--|--|
| VESSEL DESIGNED, BUILT, AND 'U' STAMPED IN ACCORDANCE WITH ASME SECTION VIII, DIVISION 1, LATEST ADDENDA. | |
| 1. VESSEL DESIGN CONDITIONS ~ 150 / 300 / 600 / 1000 PSIG AT 500°F | |
| 2. JACKET DESIGN CONDITIONS ~ 75 / 100 / 150 PSIG AT 500°F | |
| 3. MATERIALS OF CONSTRUCTION ~ 316L S.S. / C'STL. VESSEL 316L S.S. / C'STL. JACKET | |
| 4. INTERNAL FINISH ~ 80 GRIT <STD.> / #3 POLISH / #4 POLISH | |
| 5. CORROSION ALLOWANCE ~ 0" ON VESSEL AND JACKET | |
| 6. EXTERNAL FINISH ~ SAND BLAST / PAINT | |

N O Z Z L E S C H E D U L E

| MARK | SIZE | TYPE | PURPOSE |
|------|------|-------------|-----------------|
| A | 1' | - | AGITATOR SHAFT |
| B | 1' | NPTF | CHARGE PORT |
| C | 3/8" | NPTF | COIL PORT |
| D | 3/4" | NPTF | RUPTURE DISK |
| E | 3/8" | NPTF | THERMOWELL PORT |
| F | 3/8" | NPTF | COIL PORT |
| G | 1/2" | NPTF | SPARE PORT |
| H | 3/4" | NPTF | VESSEL DRAIN |
| J1 | 3/4" | 3000# CPLG. | JACKET SERVICE |
| J2 | 3/4" | 3000# CPLG. | JACKET SERVICE |

International Reactor Corporation
521 KISER STREET DAYTON, OHIO 45404-1641
PHONE# (937) 224-4444
FAX# (937) 224-4434

| | | | |
|--|-------|-----------------|--------------------|
| TITLE : 2 GALLON JACKETED REACTOR ASSEMBLY | | | |
| FOR : TURBINE IMPELLER WITH NO REDUCER | | | |
| DR. DJB | CK. | SCALE NONE | DISK/FILE SD/SD002 |
| DATE 1/13/95 | JOB # | DWG. NO. SD-002 | QTY. |
| | | | REV. 0A |