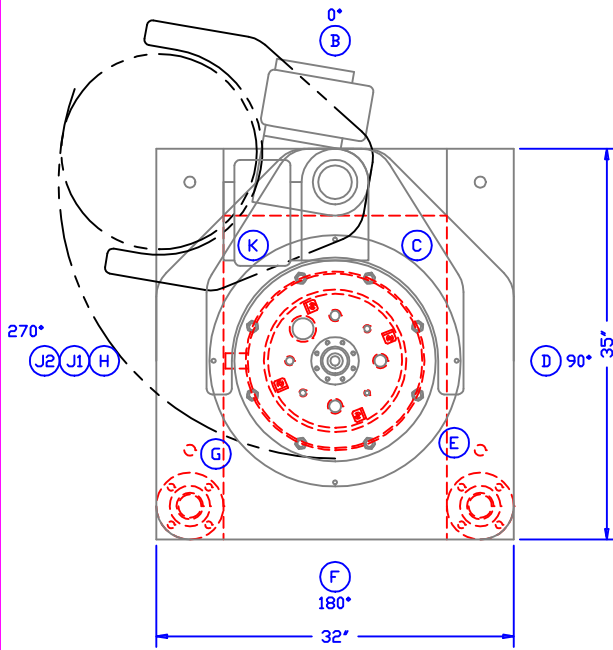
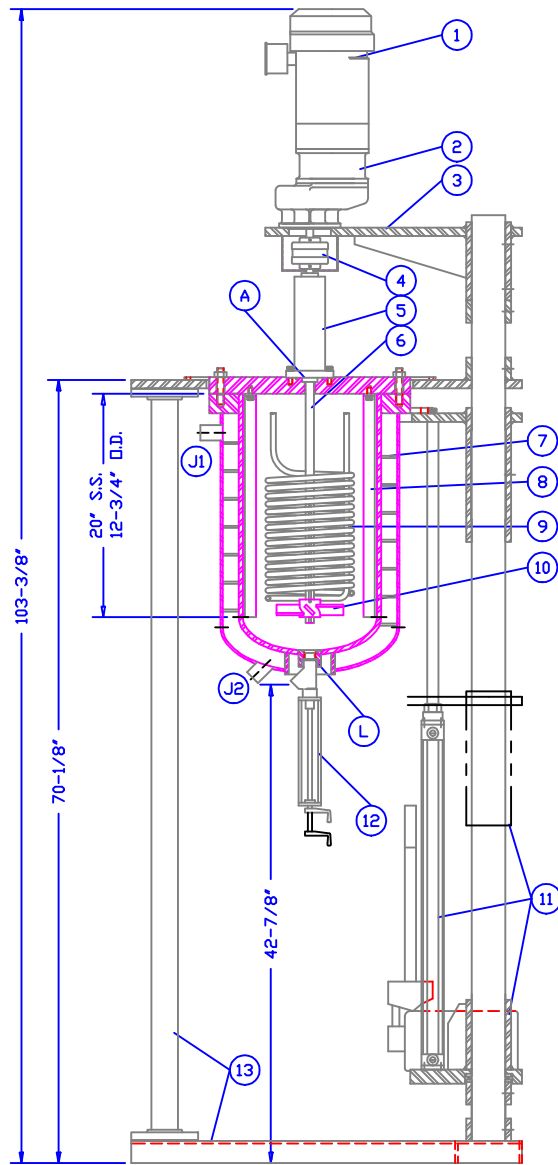


VESSEL DESIGNED TO SWING CLEAR OF IMPELLER WHEN LOWERED.



PLAN VIEW



ELEVATION VIEW

ALL DIMENSIONS ARE SUBJECT TO CHANGE DUE TO ACTUAL DESIGN CONDITIONS.

NOZZLE SCHEDULE IS FOR REPRESENTATIVE PURPOSES ONLY. NOZZLES TO BE SPECIFIED BY CUSTOMER.

BILL OF MATERIAL			
ITEM	QTY	DESCRIPTION	MATERIAL
1	1	MOTOR	STD.
2	1	GEAR REDUCER	STD.
3	1	DRIVE SUPPORT	C'STL.
4	1	SHAFT COUPLING	STD.
5	1	SEAL/BEARING HOUSING	316SS/C'STL.
6	1	AGITATOR SHAFT	316SS/C'STL.
7	1	JACKETED VESSEL	NOTED
8	4	REMOVABLE BAFFLES	316SS/C'STL.
9	1	COOLING COIL	316SS/C'STL.
10	1	P-4 IMPELLER	316SS/C'STL.
11	1	RAISING & LOWERING	C'STL.
12	1	RAM VALVE	316SS/C'STL.
13	1	SUPPORT STRUCTURE	C'STL.

NOZZLE SCHEDULE			
MARK	SIZE	TYPE	PURPOSE
A	1.375	-	AGITATOR NOZZLE
B	3/4"	NPTF	SPARE PORT
C	3/8"	NPTF	COIL PORT
D	1"	NPTF	RELIEF VALVE
E	1/4"	NPTF	PRESSURE GAUGE
F	1"	NPTF	RUPTURE DISK
G	3/8"	NPTF	COIL PORT
H	1/2"	NPTF	THERMOWELL PORT
J1	3/4"	3000# CPLG.	JACKET SERVICE
J2	3/4"	3000# CPLG.	JACKET SERVICE
K	2-1/2"	NPTF	CHARGE PORT
L	1"	NPTF	VESSEL DRAIN

DESIGN DATA

VESSEL DESIGNED, BUILT, AND 'U' STAMPED IN ACCORDANCE WITH ASME SECTION VIII, DIVISION 1, LATEST ADDENDA.

1. VESSEL DESIGN CONDITIONS ~ 150 / 300 / 600 / 1000 PSIG AT 500°F
2. JACKET DESIGN CONDITIONS ~ 75 / 100 / 150 PSIG AT 500°F
3. MATERIALS OF CONSTRUCTION ~ 316L S.S. / C'STL. VESSEL
316L S.S. / C'STL. JACKET
4. INTERNAL FINISH ~ 80 GRIT <STD.> / #3 POLISH / #4 POLISH
5. CORROSION ALLOWANCE ~ 0" ON VESSEL AND JACKET
6. EXTERNAL FINISH ~ SAND BLAST / PAINT

International Reactor Corporation

521 KISER STREET DAYTON, OHIO 45404-1641
PHONE# (937) 224-4444 FAX# (937) 224-4434

TITLE : 10 GALLON JACKETED REACTOR ASSEMBLY
FOR : TURBINE IMPELLER WITH REDUCER

DR. DJB	CK.	SCALE NONE	DISK/FILE SD/SD004	QTY.
DATE 1/17/95	JOB #	DWG. NO. SD-004	REV. 0A	